

351CRCPG72NL

# Cooking Performance Group CR-CPG-72-NL 72" Gas Radiant Charbroiler - 240,000 BTU



Item #: 351CRCPG72NL Qty: \_\_\_\_\_

Project: \_\_\_\_\_

Approval: \_\_\_\_\_ Date: \_\_\_\_\_

## Features

- 6 independently controlled 40,000 BTU burners
- Continuous pilot for instant ignition
- Heavy-duty, stainless steel construction
- Features reversible, long-lasting, cast iron top grates
- 240,000 BTU total; Field convertible to liquid propane, includes orifice
- (2) removable waste trays

## Technical Data

Width	72 Inches
Depth	30 1/2 Inches
Height	16 3/4 Inches
Cooking Surface Width	72 Inches
Cooking Surface Depth	20 Inches
Base Style	Without Base
Burner BTU	40000 BTU
Control Type	Manual
Features	Massachusetts Accepted Plumbing Product
Heating Source	Radiant

## Certifications



ETL Sanitation



3/4" Gas Connection



Field Convertible (Gas)

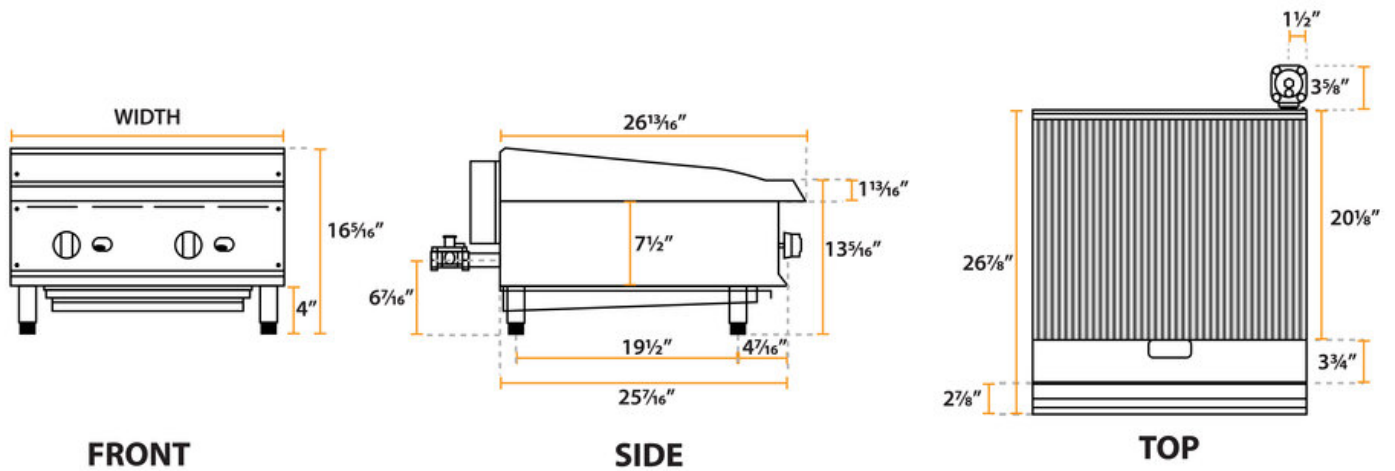


ETL, US & Canada

## Technical Data

Installation Type	Countertop
Number of Burners	6 Burners
Number of Controls	6 Controls
Power Type	Natural Gas
Total BTU	240000 BTU
Type	Charbroilers
Usage	Medium Duty

## Plan View



## Cooking Performance Group CR-CPG-72-NL 72" Gas Radiant Charbroiler - 240,000 BTU



### Notes & Details

Tempt your customers with the intoxicating aroma of grilled burgers, chicken, steak and more by cooking them on this Cooking Performance Group CR-CPG-72-NL 72" countertop charbroiler! It boasts 6 powerful 40,000 BTU stainless steel U-shaped burners with cast iron grates to provide even broiling, which also catch juices from your flavorful meats to produce searing flames and smoke for a great-tasting product. To prevent clogging, the angled sides help direct oil to the drip tray. The reversible cast iron top grates give your meats tantalizing grill marks, sporting a thin side that's perfect for searing and a thick side that's great for your more delicate foods. They can also be used in a flat or sloped position so that you can simultaneously cook various foods to the desired level of doneness!

Thanks to its stainless steel construction, a full width waste tray, and the ability to remove the cast iron grates, radiant covers, and stainless steel burners without tools, the Cooking Performance Group CR-CPG-72-NL 72" countertop charbroiler is both durable and extremely easy to clean! It has a 3/4" rear gas connection and ships ready to connect to a natural gas supply, but includes a liquid propane orifice kit for simple field conversion.

**⚠ WARNING:** This product can expose you to chemicals including lead, which are known to the State of California to cause cancer and birth defects or other reproductive harm. For more information, go to [www.p65warnings.ca.gov](http://www.p65warnings.ca.gov).