

351CPGWOKNG

# Cooking Performance Group CPG-WOK-NG 13" Natural Gas Wok Range - 95,000 BTU



Item #: 351CPGWOKNG Qty: \_\_\_\_\_

Project: \_\_\_\_\_

Approval: \_\_\_\_\_ Date: \_\_\_\_\_

## Features

- Adjustable valve delivers 95,000 BTU
- Stainless steel front, sides, 14 3/8" legs and cabinet base
- Standing pilot for instant ignition
- Field convertible to liquid propane, includes orifice
- Natural gas

## Technical Data

Width	17 1/8 Inches
Depth	20 3/4 Inches
Height	34 Inches
Burner BTU	95000 BTU
Gas Inlet Size	3/4 Inches
Installation Type	Freestanding
Number of Burners	1
	Single
Power Type	Natural Gas
Total BTU	95000 BTU
Type	Wok Ranges

## Certifications



ETL US & Canada



ETL Sanitation

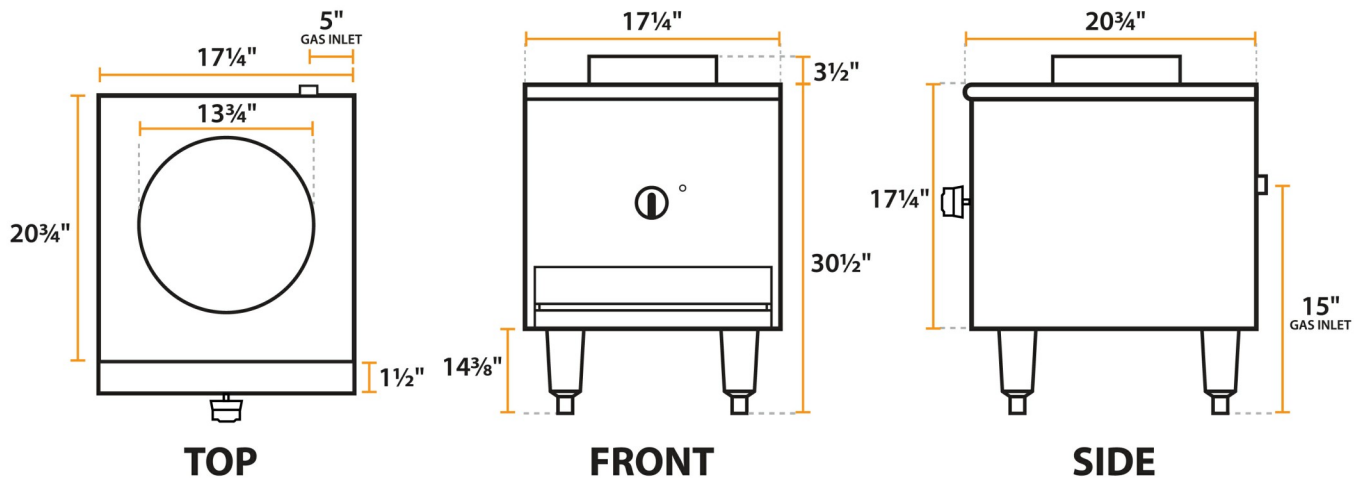


3/4" Gas Connection

## Cooking Performance Group CPG-WOK-NG 13" Natural Gas Wok Range - 95,000 BTU



### Plan View



### Notes & Details

This Cooking Performance Group CPG-WOK-NG 13" natural gas wok range allows you to quickly and easily prepare your most delicious stir fries, sautéed dishes, and noodles while taking up minimal space on your countertop! A perfect addition to your buffet, Japanese steakhouse, or catering company, this wok range boasts a powerful 18 tip duck jet burner and delivers up to 95,000 BTUs of cooking power. Designed with a standing pilot for instant ignition, this unit is ready for use whenever you are and adjusts from 32 to 350 degrees Fahrenheit to best fit your cooking needs.

This unit's stainless steel wok attachment measures 13" in diameter to accommodate your largest woks. Its rolled front makes it easy to load, while its gradual slope design helps reduce food spillover during cooking. Boasting a stainless steel front, bottom, and cabinet, this unit provides long-lasting durability and is easy to clean after a busy dinner service. Its convenient removable drip pan collects grease to ensure your countertops stay cleaner during use.

The unit sits on 14  $\frac{3}{8}$ " legs with adjustable feet to ensure leveling on uneven surfaces. This unit requires a natural gas connection for operation, but is field convertible to accept liquid propane.

**⚠ WARNING:** This product can expose you to chemicals including lead, which are known to the State of California to cause cancer, birth defects, or other reproductive harm. For more information, go to [www.p65warnings.ca.gov](http://www.p65warnings.ca.gov).