

351CPGDSPRN

Cooking Performance Group CPG-DSPR-N Natural Gas Stock Pot Range - 160,000 BTU



Item #: 351CPGDSPRN Qty: _____

Project: _____

Approval: _____ Date: _____

Features

- Adjustable burners provide 160,000 BTU
- Cabinet base for extra storage and drip tray for easy clean up
- Stainless steel front, sides, 6" adjustable legs, and base
- Field convertible to liquid propane; orifice sold separately
- Requires natural gas connection

Technical Data


Width	18 Inches
Depth	44 Inches
Height	22 1/2 Inches
Base Style	Storage Base
Burner BTU	80000 BTU
Color	Silver
Features	Field-Convertible (Gas) Massachusetts Accepted Plumbing Product
Gas Connection Size	3/4 Inches
Installation Type	Freestanding


Certifications

 3/4" Gas Connection

 CSA Blue Flame, Canada

 CSA Design, US

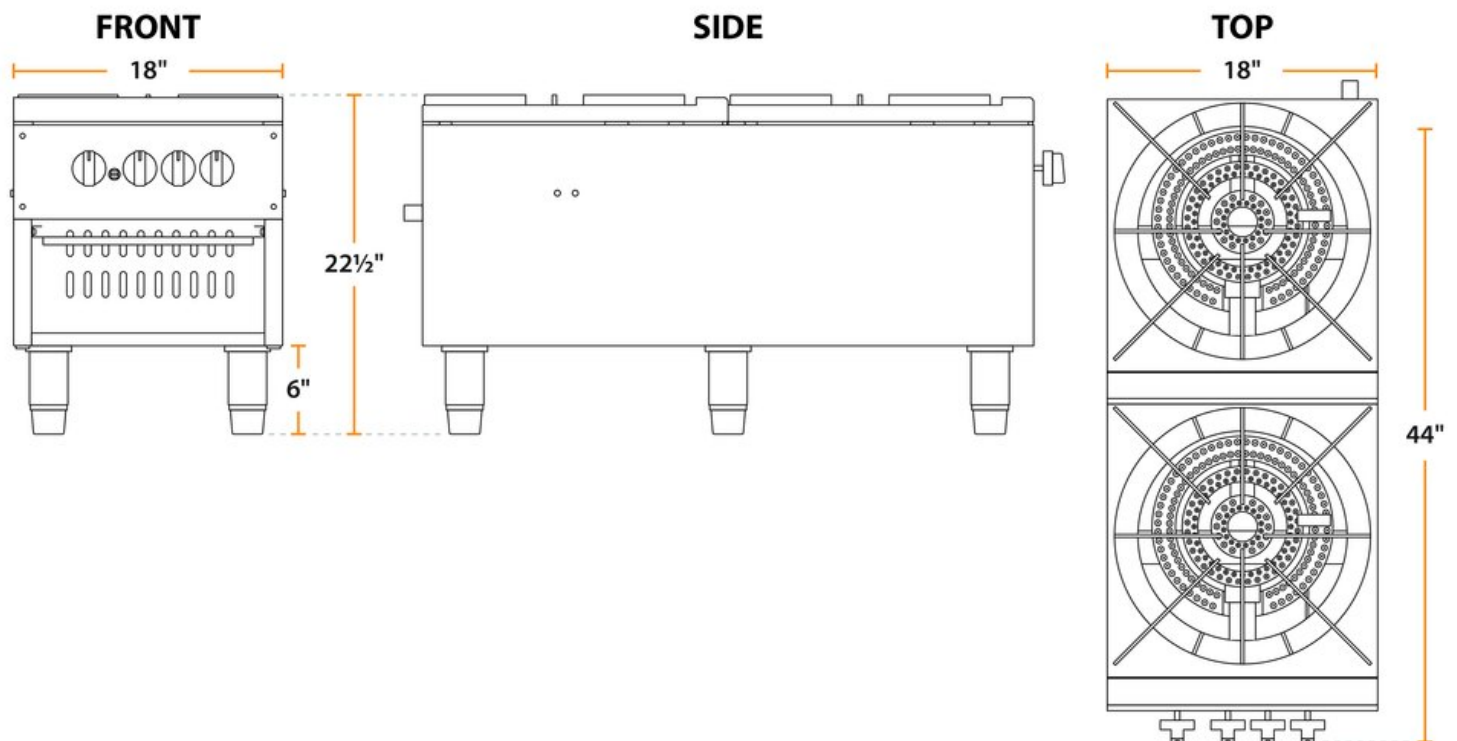
 CSA, US and Canada

 Field Convertible (Gas)

Technical Data

Net Weight	165 lb.
Number of Burners	2 Burners
Power Type	Natural Gas
Total BTU	160000 BTU
Type	Stock Pot Ranges

Plan View



Cooking Performance Group CPG-DSPR-N Natural Gas Stock Pot Range - 160,000 BTU



Notes & Details

This Cooking Performance Group CPG-DSPR-N natural gas double stock pot range allows you to quickly and easily prepare your flavorful pastas, soups, and sauces while taking up minimal space! Equipped with two powerful burners, this unit delivers a total of 160,000 BTU of power to ensure efficiency and even cooking at your operation. The stainless steel front and sides and heavy-duty cast iron top grates provide outstanding durability.

Thanks to the cabinet base, this range offers operators additional storage space to keep stock pots, ladles, tongs, and pot holders close by. With 6" adjustable legs, the unit can remain stable on uneven kitchen countertops. Plus, a drip tray makes it easy to clean the unit at the end of a busy shift. This unit runs on natural gas, but is field convertible (orifice sold separately).

⚠ WARNING: This product can expose you to chemicals including lead, which are known to the State of California to cause cancer and birth defects or other reproductive harm. For more information, go to www.p65warnings.ca.gov.