

351CPGDSPRL

# Cooking Performance Group CPG-DSPR-L Liquid Propane Stock Pot Range - 160,000 BTU



Item #: 351CPGDSPRL Qty: \_\_\_\_\_

Project: \_\_\_\_\_

Approval: \_\_\_\_\_ Date: \_\_\_\_\_

## Features

- Adjustable burners provide 160,000 BTU
- Cabinet base for extra storage and drip tray for easy clean up
- Stainless steel front, sides, 6" adjustable legs, and base
- Field convertible to natural gas; orifice sold separately
- Requires liquid propane connection

## Technical Data


Width	18 Inches
Depth	44 Inches
Height	22 1/2 Inches
Base Style	Storage Base
Burner BTU	80000 BTU
Color	Silver
Features	Field-Convertible (Gas) Massachusetts Accepted Plumbing Product
Gas Connection Size	3/4 Inches
Installation Type	Freestanding


## Certifications

 3/4" Gas Connection

 CSA Blue Flame, Canada

 CSA Design, US

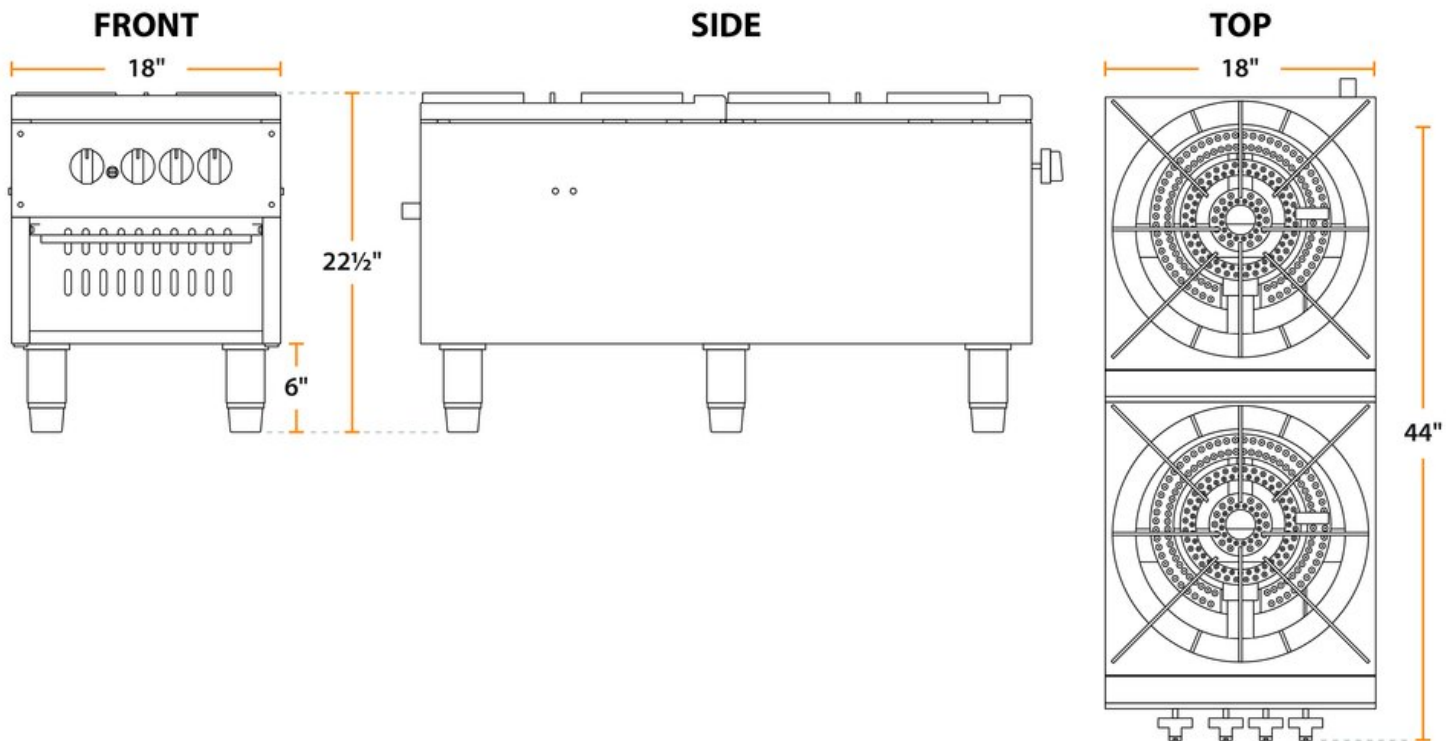
 CSA, US and Canada

 Field Convertible (Gas)

## Technical Data

Net Weight	165 lb.
Number of Burners	2 Burners
Power Type	Liquid Propane
Total BTU	160000 BTU
Type	Stock Pot Ranges

## Plan View



## Cooking Performance Group CPG-DSPR-L Liquid Propane Stock Pot Range - 160,000 BTU



### Notes & Details

This Cooking Performance Group CPG-DSPR-L liquid propane double stock pot range allows you to quickly and easily prepare your flavorful pastas, soups, and sauces while taking up minimal space! Equipped with two powerful burners, this unit delivers a total of 160,000 BTU of power to ensure efficiency and even cooking at your operation. The stainless steel front and sides and heavy-duty cast iron top grates provide outstanding durability.

Thanks to the cabinet base, this range offers operators additional storage space to keep stock pots, ladles, tongs, and pot holders close by. With 6" adjustable legs, the unit can remain stable on uneven kitchen countertops. Plus, a drip tray makes it easy to clean the unit at the end of a busy shift. This unit runs on liquid propane, but it is field convertible (orifice sold separately).

**⚠ WARNING:** This product can expose you to chemicals including lead, which are known to the State of California to cause cancer and birth defects or other reproductive harm. For more information, go to [www.p65warnings.ca.gov](http://www.p65warnings.ca.gov).