

351CLCPG24NL

# Cooking Performance Group CL-CPG-24-NL 24" Gas Countertop Lava Briquette Charbroiler - 80,000 BTU



Item #: 351CLCPG24NL Qty: \_\_\_\_\_

Project: \_\_\_\_\_

Approval: \_\_\_\_\_ Date: \_\_\_\_\_

## Features

- (2) independently controlled 40,000 BTU burners
- Continuous pilot for instant ignition; Field convertible to liquid propane, includes orifice
- Stainless steel construction and heavy-duty cast iron top grates
- (1) removable waste tray; adjustable feet
- Independent, manually controlled cooking zones

## Technical Data

Width	24 Inches
Depth	26 13/16 Inches
Height	16 5/16 Inches
Cooking Surface Width	24 Inches
Cooking Surface Depth	20 Inches
Burner BTU	40000 BTU
Control Type	Manual
Features	Massachusetts Accepted Plumbing Product
Heating Source	Lava Rocks
Installation Type	Countertop



## Certifications



ETL Sanitation



3/4" Gas Connection



Field Convertible (Gas)

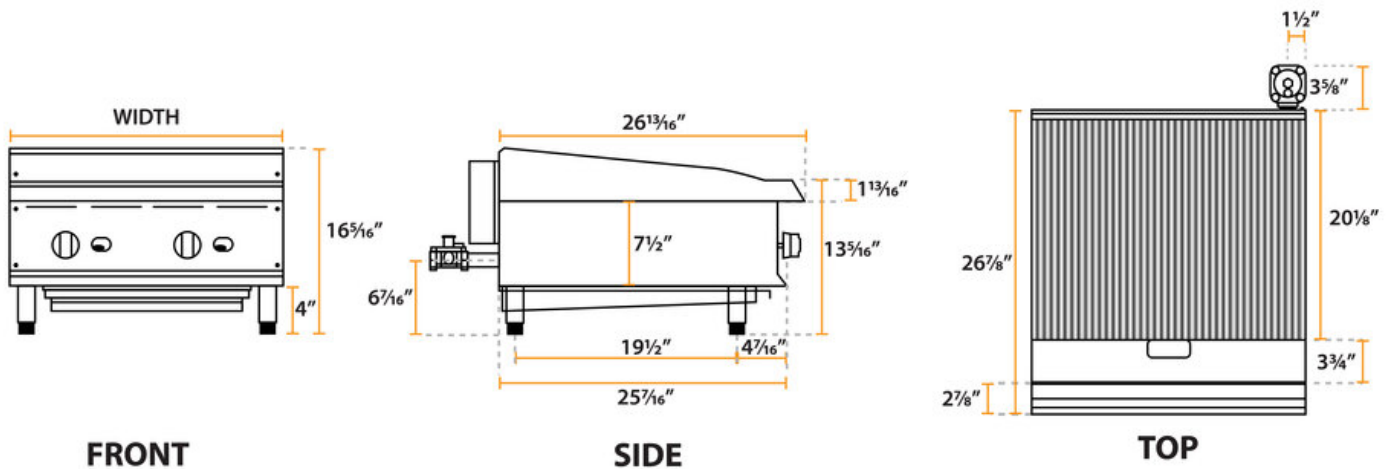


ETL, US & Canada

Technical Data

Number of Burners	2 Burners
Number of Controls	2 Controls
Power Type	Natural Gas
Total BTU	80000 BTU
Type	Charbroilers
Usage	Medium Duty

Plan View



351CLCPG24NL

## Cooking Performance Group CL-CPG-24-NL 24" Gas Countertop Lava Briquette Charbroiler - 80,000 BTU



### Notes & Details

Tempt your customers with the intoxicating aroma of grilled burgers, chicken, steak and more by cooking them on this Cooking Performance Group CL-CPG-24-NL 24" countertop charbroiler! It boasts two powerful 40,000 BTU stainless steel U-shaped burners to heat your included lava briquettes, which in turn evenly distribute the heat toward your food while catching the drippings to create that unmistakably smoky "outdoor barbecue" scent and flavor. The reversible cast iron top grates give your meats tantalizing grill marks, sporting a thin side that's perfect for searing and a thick side that's great for your more delicate foods. They can also be used in a flat or sloped position so that you can simultaneously cook various foods to the desired level of doneness!

Thanks to its stainless steel construction, a full width waste tray and the ability to remove the cast iron grates and stainless steel burners without tools, the Cooking Performance Group CL-CPG-24-NL 24" lava briquette charbroiler is both durable and extremely easy to clean! It's even designed for the countertop, providing much-needed space-efficiency. It has a 3/4" rear gas connection and ships ready to connect to a Natural Gas supply, but includes a Liquid Propane orifice kit for simple field conversion.

**⚠ WARNING:** This product can expose you to chemicals including lead, which are known to the State of California to cause cancer and birth defects or other reproductive harm. For more information, go to [www.p65warnings.ca.gov](http://www.p65warnings.ca.gov).