



Project _____

Item 382SCM350TUB Quantity _____

Approval _____ Date _____

Carnival King SCM350TUB Tub-Style Sno-Cone Machine

Item #382SCM350TUB

Special Features

- Great addition to concession stands, snack bars, or off-site applications
- Powerful 1/3 hp motor produces up to 500 lb. of ice per hour
- Durable, compact design with die-cast aluminum horn, cutting head, and pusher with ergonomic handle
- Process ice directly into the included plastic freezer-safe tub for high-volume production
- Stainless steel base with carrying handles for easier transportation; 120V, 1/3 hp, 1700 rpm

Technical Data

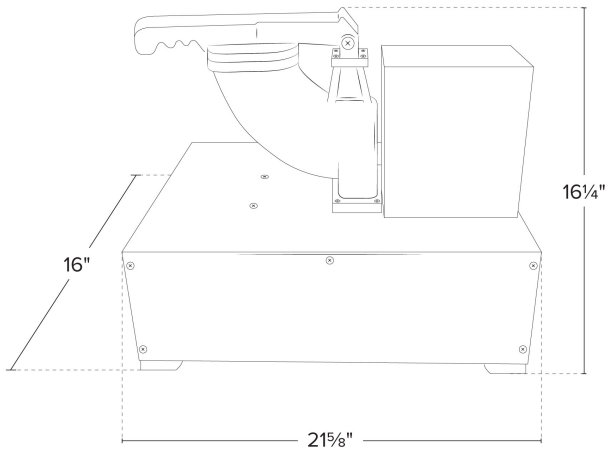
Width	21 5/8 Inches
Depth	16 Inches
Height	16 1/4 Inches
Amps	2.8 Amps
Hertz	60 Hertz
Voltage	120 Volts
Wattage	350 Watts
Horn Material	Cast Aluminum
Horsepower	1/3 HP
Output	500 Pounds Per Hour
Plug Type	NEMA 5-15P
RPM	1700 RPM
Type	Snow Cone Machines



Certifications



Technical Drawing



⚠ WARNING: This product can expose you to chemicals including lead, which are known to the State of California to cause cancer, birth defects, or other reproductive harm. For more information, go to www.p65warnings.ca.gov.