



Project _____
Item 382PM1360 Quantity _____
Approval _____ Date _____

Carnival King PM1360 12 oz. Commercial Popcorn Machine / Popper - 120V, 1360W

Item #382PM1360

Special Features

- Best value in the market; can draw a crowd and pay for itself in only a few hours
- Kettle makes 200 oz. of popcorn per hour, making it one of the most versatile poppers around
- Quick and easy operation; cabinet can hold up to 65 ounces of popcorn; ideal for mid-level demand
- Includes a popcorn scoop, measuring cups, and a removable crumb tray for convenience
- Boasts a durable stainless steel frame, a stainless steel 12 oz. kettle, and 1360W of popping power

Technical Data

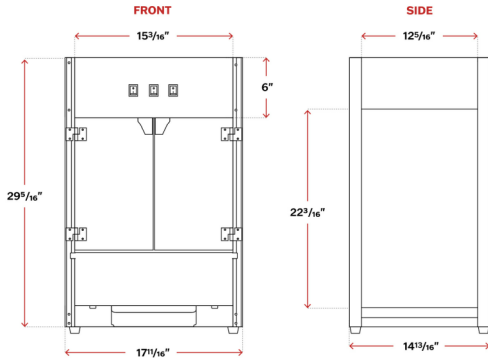
Width	17 3/4 Inches
Depth	14 3/4 Inches
Height	29 1/2 Inches
Amps	11.3 Amps
Hertz	60 Hertz
Phase	1 Phase
Voltage	120 Volts
Wattage	1360 Watts
1 oz. Servings / Hour	200 Servings
Capacity	12 oz.
Color	Red
Door Material	Plastic
Frame Material	Stainless Steel
Kettle Material	Stainless Steel
Kettle Size	12 Ounces
Kettle Volume	Medium
Panel Material	Plastic
Plug Type	NEMA 5-15P
Power Type	Electric



Certifications



Technical Drawing



⚠ WARNING: This product can expose you to chemicals including lead, which are known to the State of California to cause cancer, birth defects, or other reproductive harm. For more information, go to www.p65warnings.ca.gov.