

Standard Waffle Makers

with Dial Controls



A great addition to any kitchen, these belgian waffle makers are perfect for diners, cafes, and hotel breakfast bars. Powerful and efficient, they are designed to keep up with your busiest rush. Plus, they come with all of the necessary features to quickly create great tasting waffles!



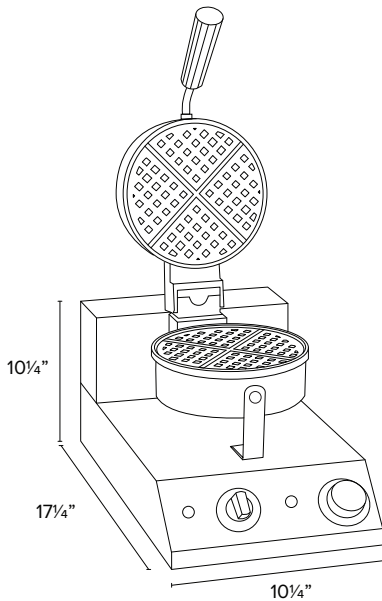
- Features two non-stick cooking grids
- Temperature adjustable up to 570 degrees Fahrenheit
- Makes waffles up to 7 ½" in diameter
- Orange light identifies when the unit is preheating
- Designed with ergonomic, cool-touch handle
- Easy-to-clean



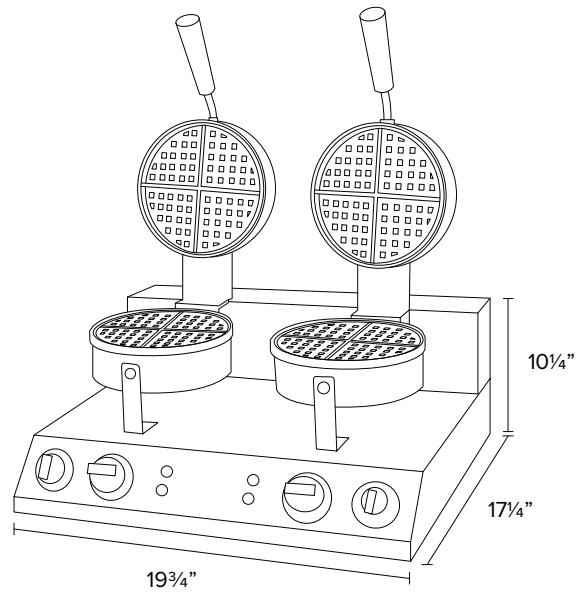
Item #382WSM11 & #382WSM22

STANDARD WAFFLE MAKERS

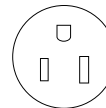
#382WSM11



#382WSM22



Item Number	382WSM11	382WSM22
Unit Dimensions	10 1/4" W x 17 1/4" D x 10 1/4" H	19 3/4" W x 17 1/4" D x 10 1/4" H
Temperature	Up to 570°F	Up to 570°F
Power	120V, 1100W	120V, 2200W
Plug Type	5-15P	5-15P



NEMA 5-15P

