

## Camdollies®

For Camtainers®, Ultra Camtainers®,  
Camcarriers®, Ultra Pan Carriers®, and  
S-Series Ultra Pan Carriers®

### Without Handle

Models CD100, CD160, CD200



### Features & Benefits

- Make any job easier by smoothly transporting beverage and food carriers with these rugged and reliable Camdollies!
- Each Camdolly will carry the following products:
  - Model CD100
    - Camtainers - Models 250LCD, 350LCD, 500LCD
    - Ultra Camtainers - Models UC250, UC500
    - Camcarriers - Model 100MPC
    - Ultra Pan Carrier - Model UPC100
  - Model CD160
    - Camcarriers - Models 125MPC, 140MPC, 160MPC 180MPC
    - Ultra Pan Carriers - Models UPC140, UPC160, UPC180
    - S-Series Ultra Pan Carriers - Models UPCS140, UPCS160, UPCS180
  - Model CD200
    - Camcarrier - Model 200MPC
- Load capacity is 300 lbs. (136 Kg.) for all models.
- One-piece seamless, double-wall, high-density polyethylene construction is extremely durable. Won't rust or corrode.
- Rounded corners protect walls, equipment, and furniture from damage.
- Foamed-in-place polyurethane core adds greater structural strength and reduces noise.
- Easy to clean - can be wiped down or steam cleaned.
- All models have four each 5" (12,7 cm) casters, 2 fixed, 2 swivel, 1 w/ brake, bolted into molded-in steel plates.
- Provides quiet service and greater durability when fully loaded.
- No assembly required.
- Available in 7 colors.

Item No. \_\_\_\_\_

Specifier Identification No. \_\_\_\_\_

Model No. \_\_\_\_\_

Quantity \_\_\_\_\_



For Camcarrier  
(100MPC)



CD100



For Camcarrier  
(160MPC)



CD160



For Camcarrier  
(200MPC)



CD200

### Approvals



# Camdollies®

For Camtainers®, Ultra Camtainers®,  
Camcarriers®, Ultra Pan Carriers®, and  
S-Series Ultra Pan Carriers®

Without Handle

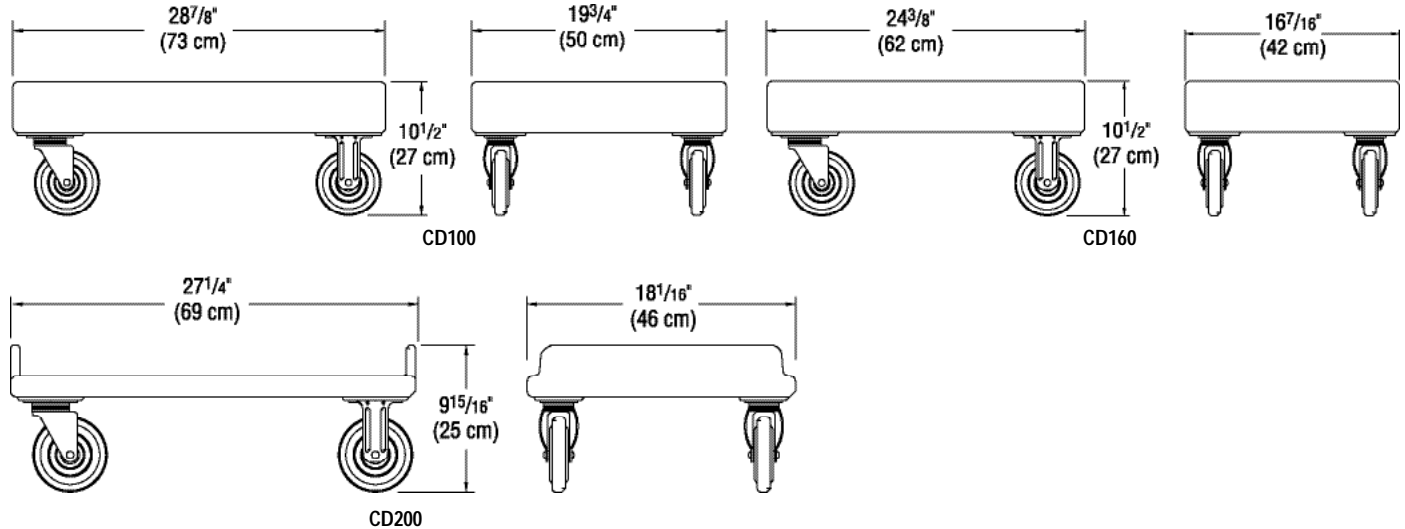
Models CD100, CD160, CD200

Item No. \_\_\_\_\_

Specifier Identification No. \_\_\_\_\_

Model No. \_\_\_\_\_

Quantity \_\_\_\_\_



## Specifications

Dimension Tolerance: +/- 1/4" (0,64 cm)

Code	Description	Load Capacity	Interior Dimensions W x D	Exterior Dimensions L x W x H	Case lbs./cube Kg/m <sup>3</sup>
CD100	Camdolly	300 lbs. (136 Kg)	17 3/8" x 26 1/16" (44 x 67 cm)	28 7/8" x 19 3/4" x 10 1/2" (73 x 50 x 27 cm)	17.5 (3.33) 8 (0,1)
CD160	Camdolly	300 lbs (136 Kg)	14 1/16" x 21 15/16" (36 x 56 cm)	24 3/8" X 16 1/16" x 10 1/2" (62 x 42 x 27 cm)	19 (2.30) 9 (0,06)
CD200	Camdolly	300 lbs (136 Kg)	16 1/16" x 25 13/16" (42 x 66 cm)	27 1/4" X 18 1/16" x 9 15/16" (69 x 46 x 25 cm)	15 (3.16) 7 (0,09)

## Architect Specs

The Camtainer, Ultra Camtainer, Camcarrier, Ultra Pan Carrier, and S-Series Ultra Pan Carrier transport cart shall be a Camdolly, Cambro Model..., manufactured by Cambro Mfg. Co., Huntington Beach, CA 92648 U.S.A. It shall be constructed of single-molded, seamless, double-wall, high-density polyethylene and thick foam injected polyurethane. It shall be available to accommodate various models of Camtainers, Ultra Camtainers, Camcarriers, Ultra Pan Carriers, and S-Series Ultra Pan Carrier. It shall have a load capacity range up to 300 lbs. (136 Kg). It shall have rounded corners for added protection. It shall have no handles. It shall be available with 4 each 5" (7,6 cm) casters, 2 fixed, 2 swivel, 1 w/ brake, that are bolted into molded-in metal plates. It shall not require any assembly and shall be available in 7 colors.

## Standard Colors

- Coffee Beige (157)
- Dark Brown (131)
- Black (110)
- Slate Blue (401)
- Gray (180)
- Brick Red (402)
- Green (519)

## Approvals

