



35136CPGCBRDNAT/LP & 35136CPGCBLRNAT/LP

36" Charbroiler

with Cabinet Base - Radiant or Lava Rock

Boasting three powerful 40,000 BTU stainless steel U-shaped burners to heat your radiants or lava rocks, which in turn evenly distribute the heat toward your food. The reversible cast iron top grates give your meats tantalizing grill marks, sporting a thin side that's perfect for searing and a thick side that's great for your more delicate foods like fish. The stainless steel cabinet base has an open storage area, perfect for holding commonly used range accessories like hot pads, cooking utensils, food pans, and more.

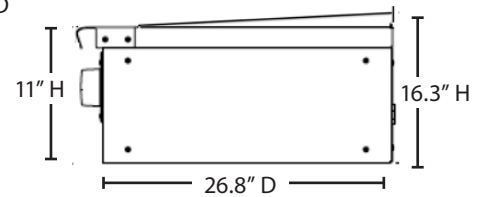
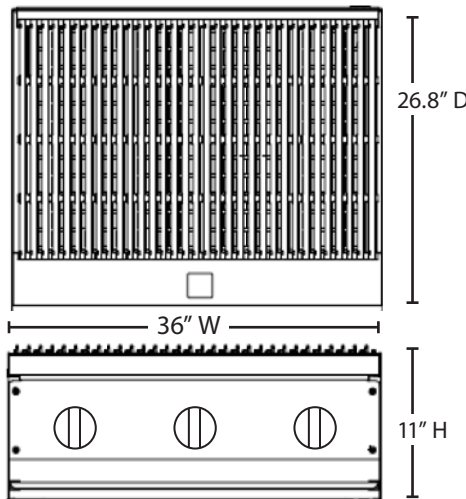
Product Features:

- 16 gauge, type 430 welded stainless steel open cabinet base with (4) 6" legs
- 3 independently-controlled 40,000 BTU burners
- Continuous pilots for instant ignition
- 3/4" rear natural gas connection
- All stainless steel construction
- Includes LP orifice kit for field conversion
- Adjustable and reversible cooking grates
- Same 36" working height as most charbroilers



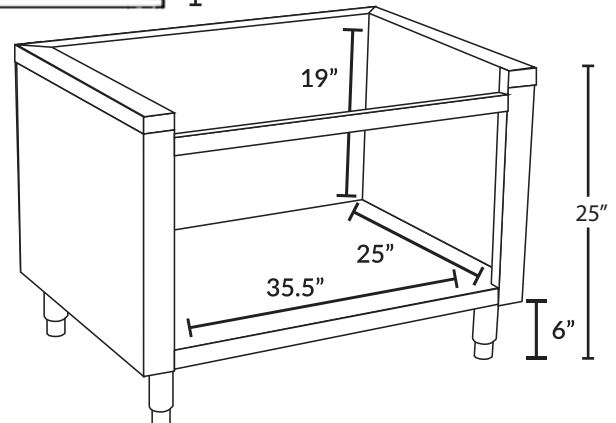
Product Specifications:

WIDTH	36 in.
DEPTH	26 13/16 in.
HEIGHT (including backsplash)	41 5/16 in.
WORKING HEIGHT	36 in.
COOKING SURFACE	34 in. x 21 in.
INTERIOR WIDTH	35 1/2 in.
INTERIOR DEPTH	25 in.
INTERIOR HEIGHT	19 in.
INSTALLATION TYPE	Freestanding
POWERTYPE	Gas
BURNER BTU	40,000
# OF BURNERS	3 U-Shaped
TOTAL BTU	120,000



Weight

WEIGHT	243lbs.
FREIGHT CLASS	85



Certifications:



Conforms to ANSI STD Z83.11b-2009(R2012) Certified to CSA STD 1.88-2009(R2012)



Options & Accessories:

- #369CASTER4 - Casters (front two are locking)

