

## Low Profile Single Product Liquid Coffee Ambient Dispenser

### Features

#### Low Profile Single Product Ambient Dispenser

- Compact, low-profile design accommodates a variety of spaces.
- Under 18" tall.
- Accommodates one 1/2 gallon (2L) bag-in-box (BIB) container.
- Hot water dispense button.
- Ready, power and warning LED lights communicate machine status.
- Preset for push-and-hold continuous dispense for self-serve applications.
- Optional portion-control button may be set for cups or carafes.



#### LCA-1 LP

Dimensions: 17.8" H x 10.6" W x 19.5" D  
(45.2cm H x 26.9cm W x 49.5cm D)

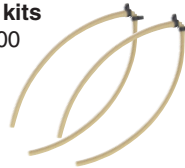
For current specification sheets and other information, go to [www.bunn.com](http://www.bunn.com).

### Related Products

**Easy Clear® EQHP-10L**  
Product No. : 39000.0001  
Use with 1.8 oz/sec. flow rate.



**1/8" Replacement tube kits**  
Product No. : 44713.1000



**Adapter/Tube Package**  
Scholle 1910  
Product No.: 44100.0200

**Adapter/Tube Package**  
QCDII  
Product No.: 44100.0201

**Adapter/Tube Package**  
Scholle Q/C  
Product No.: 44100.0202

**2.5" Riser Kit**  
Product No.: 44100.0600

**Door Lock Kit**  
Product No.: 34472.1004

**50ml Graduated Cylinder Kit**  
Product No. : 34843.1000  
For use in calibration of pumps.



**Model**

LCA-1

**Agency Listing**



## Dimensions & Specifications

Model	Product Number	Product Ratios	Connector Type	Volts	Amps	Total Watts	Capacity*	Cubic Measure	Shipping Weight	Cord Attached
LCA-1, LP	44100.0000	25:1 - 100:1	Scholle 1910LX	120	11	1320	115 cups/hr.	4.1 ft <sup>3</sup>	42 lbs.	Yes
LCA-1, LP	44100.0001	25:1 - 100:1	QCDII	120	11	1320	115 cups/hr.	4.1 ft <sup>3</sup>	42lbs.	Yes
LCA-1, LP	44100.0002	25:1 - 100:1	Scholle Q/C	120	11	1320	115 cups/hr.	4.1 ft <sup>3</sup>	42 lbs.	Yes
								.12 M <sup>3</sup>	19.1 kg	

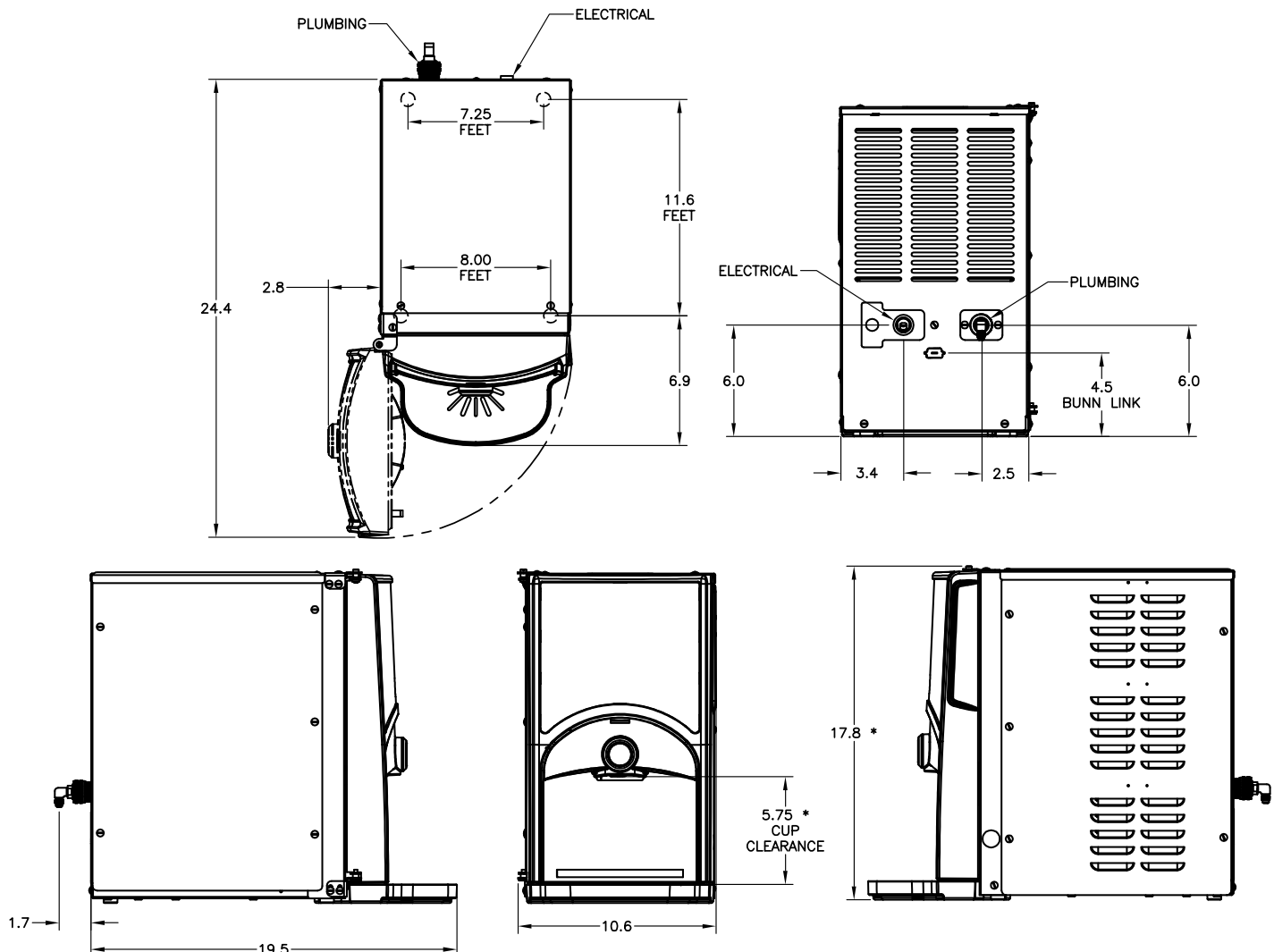
\*Capacity measured with a 5 oz. (147.9mL) cup.

Dispense Rate: 1.3 oz/second (38.4 mL/second)

Electrical: 120V model requires 2-wires plus ground service rated 120V, single phase, 60 hz.

Plumbing: 20-90 psi (138-621 kPa) from a 1/4" (6.35 mm) or larger supply line. Unit requires a 1 gpm line flow capacity. A shut-off valve should be installed in the line before the unit. Install a regulator in line when pressure is greater than 90 psi to reduce pressure to 50 psi. Supplied with 1/4" (6.35 mm) male flare fitting.

NOTE: Additional clearance is required on both sides and behind the dispenser to allow for proper air flow and cooling. The total space required for the LCA-1 is 16.6" wide x 17.8" tall x 23.0" deep.



Bunn-O-Matic® Corporation - 1400 Stevenson Drive Springfield, Illinois 62703 • 800-637-8606 • 217-529-6601 • Fax 217-529-6644 • www.bunn.com

BUNN® practices continuous product research and improvement. We reserve the right to change specifications and product design without notice. Such revisions do not entitle the buyer to corresponding changes, improvements, additions or replacements for previously purchased equipment.

All dimensions shown in inches.

10/11 © Bunn-O-Matic Corporation