

Brussels Style Belgian Waffle Makers with Dial Controls



A great addition to any kitchen, these belgian waffle makers are perfect for diners, cafes, and hotel breakfast bars. Powerful and efficient, they are designed to keep up with your busiest rush. Plus, they comes with all of the necessary features to quickly create great tasting waffles!



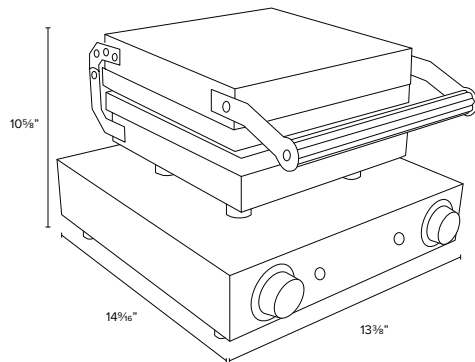
- Features aluminum non-stick cooking plates
- Temperature adjustable up to 570 degrees Fahrenheit
- Orange light identifies when the unit is preheating
- Easy-to-clean with raised plates
- Cool-touch handle
- Makes two 4" x 6" waffles at the same time
- Bakes up to (40) $\frac{5}{8}$ " waffles per hour



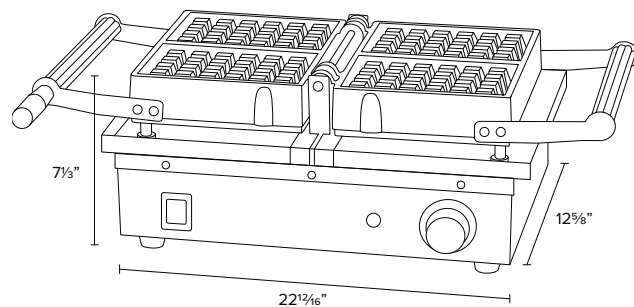
Item #382WBS46 & #382WBS180

BRUSSELS STYLE BELGIAN WAFFLE MAKERS

#382WBS46



#382WBS180



Compatible Items from **CARNIVAL KING**

Belgian Waffle Mix

(999BELGWAF)

- 5 lb. bags

Belgian Waffle Mix

(382BELGWAF)

- 6 - 5 lb. bags



Item Number	382WBS46	382WBS180
Unit Dimensions	13 ³ / ₈ "W x 14 ⁹ / ₁₆ "D x 10 ⁵ / ₈ "H	22 ¹² / ₁₆ "W x 12 ⁵ / ₈ "D x 7 ¹ / ₈ "H
Temperature	Up to 570°F	Up to 570°F
Power	120V, 1500W	120V, 1500W
Plug Type	5-15P	5-15P



NEMA 5-15P



WWW.CARNIVALKINGSUPPLIES.COM