

BACKYARD PRO

Backyard Pro Four Pan Open Well Mobile Liquid Propane Outdoor Steam Table with Undershef - 14000 BTU

#554BPGST4WLP



Technical Data

Width	67 1/16 Inches
Depth	25 1/4 Inches
Height	34 5/16 Inches
Assembly Options	Assembly Required
Base Style	Undershef
Casters	With Casters
Color	Silver
Control Type	Manual
Features	Mobile
Material	Stainless Steel / Galvanized Steel

Features

- Heavy-duty, outdoor-grade stainless steel construction ensures durability and reliability
- Holds (4) 6" deep full size food pans; accommodates various pan configurations (sold separately)
- Independent manual control knobs for optimum heating versatility
- Convenient undershef provides additional space for utensils, pans, or lids
- Mobile design is ideal for outdoor use

Certifications



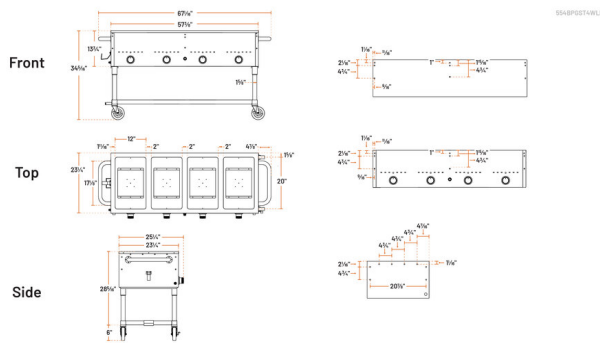
Portable LP Tank Connection



Technical Data

Number of Pans	4 Pans
Number of Wells	4
Power Type	Liquid Propane
Style	Floor Model Heated
Total BTU	14000 BTU
Type	Mobile
Usage	Outdoor
Well Type	Open / Dry Well

Plan View



Notes & Details

Keep all of your menu items piping hot and readily available with the Backyard Pro four pan open well mobile liquid propane outdoor steam table with undershelf! This powerful holding unit can hold four 6" deep full size food pans (sold separately) full of pasta, meat, or side dishes in each well. Each well features a high-output burner rated at 3,500 BTU. It's constructed of heavy-duty 304 stainless steel with 18 gauge galvanized legs and 20 gauge wells, ensuring the durability and reliability you need at your buffet or catered event. Each well functions individually through independently controlled knobs to accommodate the varying temperature needs for all of your food. Plus, it comes with (4) 6" casters that provide mobility and help ensure easy service and cleaning. Two of the casters include brakes to lock the unit in place and prevent unintentional moving.

For quick and efficient start up, this unit features a straight flow, energy-saving burner assembly with 14,000 BTU. It features a propane tank hook on the side for added convenience and a side-mounted regulator. The 22 gauge 304 stainless steel undershelf comes in handy for storing extra serving utensils, food pans, or lids, so all of your most frequently used tools can be close at hand. This open well steam table is intended for outdoor use and is a helpful addition to your commercial establishment.

⚠ WARNING: This product can expose you to chemicals including lead, which are known to the State of California to cause cancer and birth defects or other reproductive harm. For more information, go to www.p65warnings.ca.gov.