



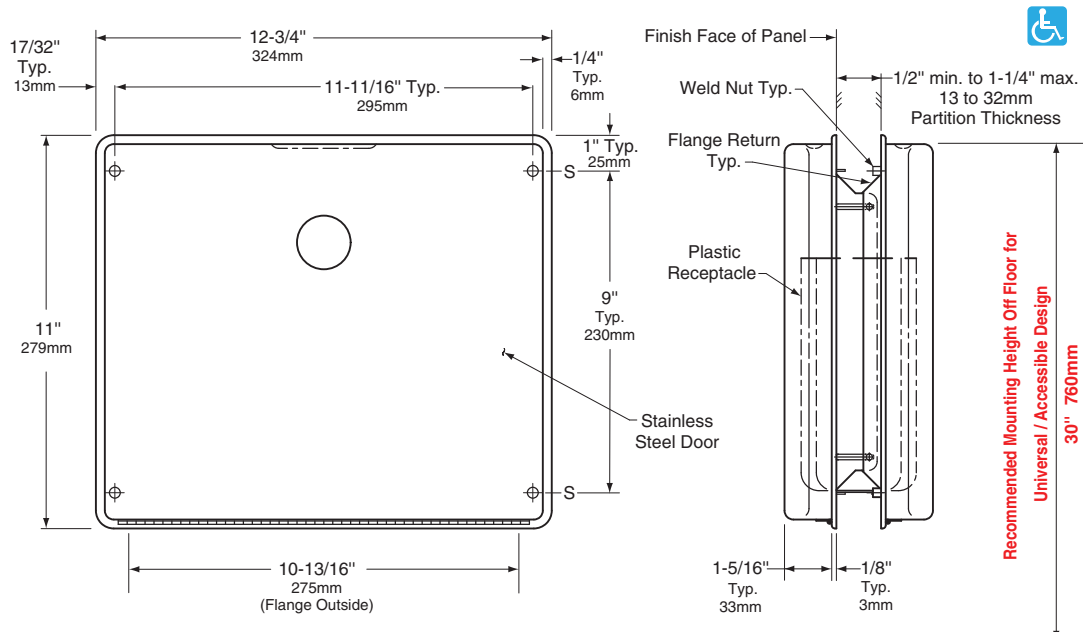
# Technical Data

# ConturaSeries® PARTITION-MOUNTED SANITARY NAPKIN DISPOSAL (FOR TWO TOILET COMPARTMENTS)

# B-4354



**Rough Partition Cutout**  
11" (280mm) wide  
9-3/8" (240mm) high  
1/2" to 1-1/4" (13 to 32mm)  
partition thickness



### MATERIALS:

**Flanges (2)** — 18-8 S, type-304, 22-gauge (0.8mm) stainless steel with satin finish. Drawn, one-piece, seamless construction. Radius on corners and return edges complement corners and edges of door. One flange has four mounting screw holes for through-panel mounting. Other flange has four stainless steel weld-nuts to accept mounting screw threads.

**Doors (2)** — 18-8 S, type-304, 22-gauge (0.8mm) stainless steel with satin finish. Drawn, one-piece, seamless construction. Front of doors have same degree of arc as other Bobrick Contura Series washroom accessories. Radius on corners and edges of door match other Contura Series accessories. Self-closing door is secured to flange with a full-length stainless steel piano-hinge at bottom. Each door is equipped with two stainless steel cable door-swing limiters, a finger-pull recess at top for easy opening, and an international graphic symbol identifying sanitary napkin disposal.

**Receptacle** — Leak-proof molded polyethylene. Removable for servicing. Capacity: 0.7-gal. (2.7-L).

**Sight-Barrier** — 1/8" (3mm) thick ABS plastic. Attached to flange with two stainless steel piano-hinges.

continued . . .

## OPERATION:

Serves two toilet compartments. Self-closing doors pull down for access to disposal with less than 5 pounds of force (22.2 N) to comply with barrier-free accessibility guidelines (including ADAAG in U.S.A.). Receptacle is removable from either side of unit for servicing. Cable door-swing limiters prevent damage to washroom accessories and walls. Hanging sight-barrier swings out of the way when waste is deposited in receptacle and when removing receptacle from unit for servicing.

## INSTALLATION:

Mount unit in toilet partition 1/2" to 1-1/4" (13 to 32mm) thick, centered through a cutout specially ordered from partition manufacturer or field cut. Dimensions of cutout are to be 11" wide x 9-3/8" high (280 x 240mm). For factory-made cutouts, location and size details must be furnished to partition manufacturer.

**Note:** Cutouts in Bobrick laminated plastic toilet partitions can be pre-cut for Bobrick partition-mounted accessories at factory if location and size of cutouts are specified and order for both partitions and accessories are received together.

For installation with machine screws furnished by manufacturer, place the door assembly with four mounting holes in the flange firmly in one side of the partition cutout. Use the flange as a template to mark mounting hole locations, indicated by an S, then drill (4) 5/16" (7.9mm) diameter holes through the partition. Place the door assembly with four weld-nuts on the rear of the flange on the opposite side of partition, making sure the weld-nuts go into the mounting holes in partition. Secure the door assemblies together, back-to-back, using screws furnished, tightening screws until flanges are flush with and tight against partition surface. For installation in 1/2" (13mm) thick partitions, use short screws furnished. For installation in 1" (25mm) thick partitions, use long screws furnished. For other panel thicknesses, provide screws as needed. Screw length to be the same as the panel thickness.

Attach loose ends of cable door-swing limiters to opposite weld-studs in second door using two hex lock-nuts furnished by manufacturer. Ends of door-swing limiters must rotate freely around weld-studs. Attach door-return springs to spring-retainer brackets at inside bottom of doors, both left and right sides. Place end of spring wire through hole in spring-retainer bracket with end of spring wire facing toward the outside of the unit. Attach the other end of the spring to the spring-retainer bracket of the door on the opposite side of the panel in the same manner. Repeat this procedure for the second spring on the other side of the unit.

## SPECIFICATION:

Partition-mounted sanitary napkin disposal shall be type-304 stainless steel with all-welded construction; exposed surfaces shall have satin finish. Unit shall mount in partition and serve two toilet compartments. Front of sanitary napkin disposal doors shall have same degree of arc and match other Bobrick ConturaSeries® accessories in the washroom. Radius on corners and edges of flanges and doors shall complement other Bobrick ConturaSeries® washroom accessories. Flanges shall be drawn, one-piece, seamless construction. Each self-closing door shall be drawn, one-piece, seamless construction; secured to flange with a full-length stainless steel piano-hinge; and equipped with two stainless steel cable door-swing limiters, a finger-pull recess at top for easy opening, and an international graphic symbol identifying sanitary napkin disposal. Doors shall pull down with less than 5 pounds of force (22.2 N) to comply with barrier-free accessibility guidelines (including ADAAG in U.S.A.). Unit shall be furnished with a removable, leak-proof, molded polyethylene receptacle that is serviced from either side of unit. Receptacle shall have a capacity of 0.7-gal. (2.7-L). Unit is furnished with a hanging sight-barrier, secured to flange with two stainless steel piano-hinges, which swings out of the way when waste is deposited in receptacle and when removing receptacle from unit for servicing.

**Partition-Mounted Sanitary Napkin Disposal shall be Model B-4354 of Bobrick Washroom Equipment, Inc., Clifton Park, New York; Jackson, Tennessee; Los Angeles, California; Bobrick Washroom Equipment Company, Scarborough, Ontario; Bobrick Washroom Equipment Pty. Ltd., Australia; and Bobrick Washroom Equipment Limited, United Kingdom.**