



T&S BRASS AND BRONZE WORKS, INC.

2 Saddleback Cove / P.O. Box 1088
Travelers Rest, SC 29690



REG. #A2601
ISO #9001

Model No.

B-0805

Item No.

Travelers Rest, SC: 800-476-4103 Simi Valley, CA: 800-423-0150 Fax: 864-834-3518 www.tsbrass.com

This Space for Architect/Engineer Approval

Job Name _____ Date _____

Model Specified _____ Quantity _____

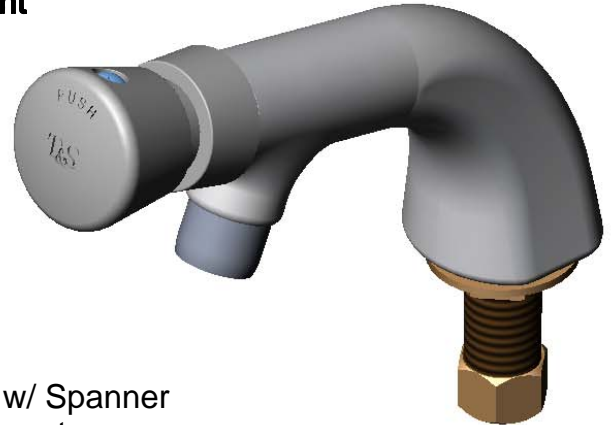
Customer/Wholesaler _____

Contractor _____

Architect/Engineer _____



ADA Compliant



Furnished w/ Spanner Bit for Access to Metering Adjustment (Metering Adjustment Requires 3/32" Hex Key)

Push Button Metering Cartridge



2.2 GPM Aerator

1 11/16" (43mm)

5" (127mm)



4 1/4" (108mm)

1/2" NPSM Male Shank

Rough-in: ϕ 1" Hole

Product Specifications:

Single Temperature Deck Mount Faucet, 1/2" NPSM Male Shank, Push Button Metering Cartridge, & 2.2 GPM Aerator

Drawn

DMH

Checked

GEF

Approved

JHB

Scale:

1:2

Date:

10/03/08



T&S BRASS AND BRONZE WORKS, INC.

2 Saddleback Cove / P.O. Box 1088
Travelers Rest, SC 29690



REG. #A2601
ISO #9001

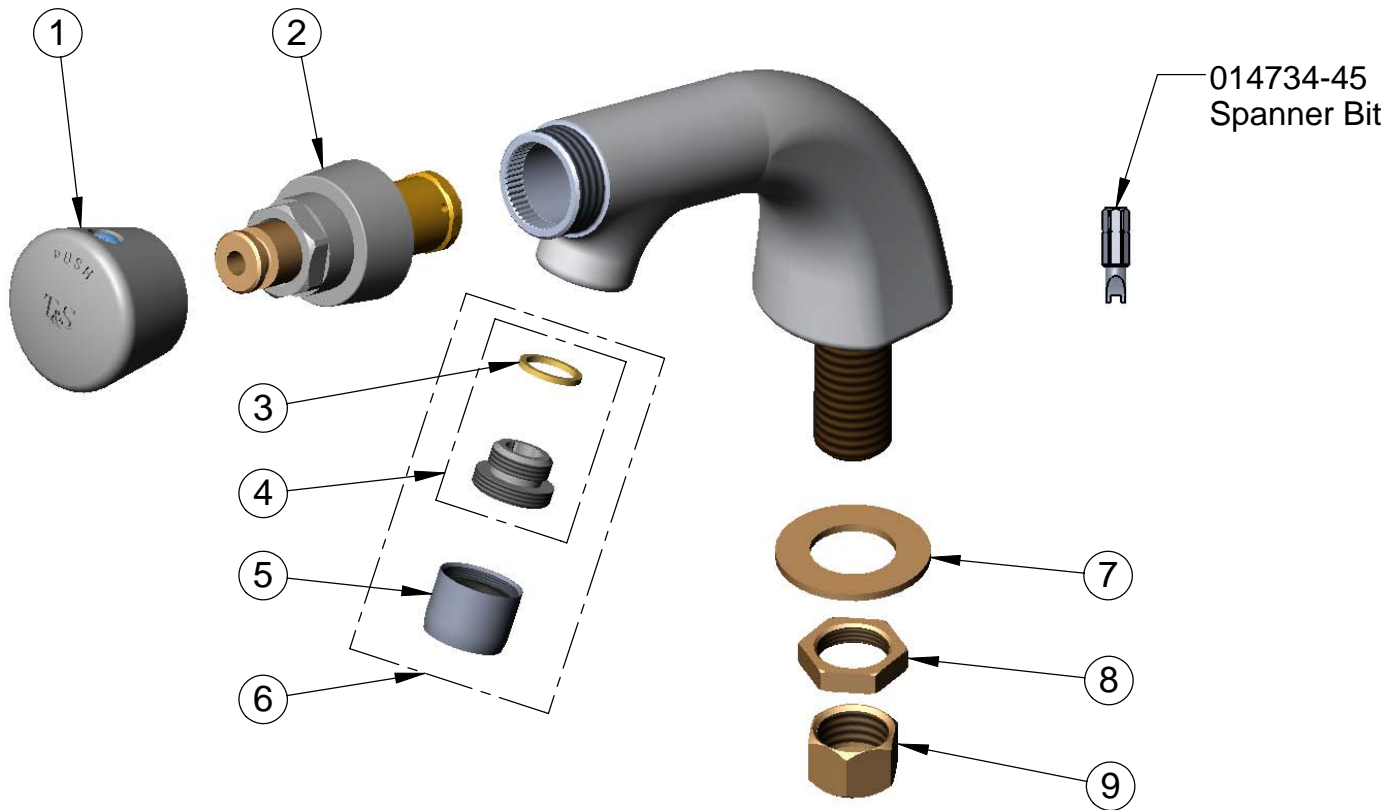
Model No.

B-0805

Item No.

Travelers Rest, SC: 800-476-4103 Simi Valley, CA: 800-423-0150 Fax: 864-834-3518 www.tsbrass.com

| ITEM NO. | SALES NO. | DESCRIPTION |
|----------|-----------|-----------------------------|
| 1 | 014193-40 | Push Button Cap Asm. |
| 2 | 238A | Push Button Metering Ctg. |
| 3 | 001043-45 | Washer |
| 4 | 044A | 3/8" to Aerator Adapter |
| 5 | B-0199-01 | 2.2 GPM Aerator, Female |
| 6 | B-0199-02 | Aerator, 2.2 GPM, 3/8" NPSM |
| 7 | 000999-45 | Brass Lock Washer |
| 8 | 002954-45 | Shank Lock Nut |
| 9 | 000958-20 | Coupling Nut |



Product Specifications:

Single Temperature Deck Mount Faucet, 1/2" NPSM Male Shank, Push Button Metering Cartridge, & 2.2 GPM Aerator

| | | |
|----------------------|-----------------------|--------------------------|
| Drawn DMH | Checked GEF | Approved JHB |
| Scale: 1:2 | | Date: 10/03/08 |