



AX-CL10M

**Full Size Combi Oven
Manual Controls - Reversing Fans - 10 Shelves**



| | | Features |
|-------------------------------------|--|--|
| Manual controls | Time, temperature, steam | <ul style="list-style-type: none"> • Advanced airflow design • Automatic high speed reversing fans • Manual control: 120 minute timer or continuous ON • Interior halogen light • Includes electro valve for direct water connection • Adjustable steam percentage (0-100%) • Micro safety switch shuts oven off when door is open • Heavy duty stainless steel body construction • "Cold Door" design with double pane glass • Reinforced door hinges • Oven cavity is insulated with ultra-high temperature fiberglass insulation • 4 Stainless steel wire shelves • Hand spray for cleaning is included • Ovens can be stacked (kit required) • Warranty: 2 year parts & 1 year labor exclusive of lights, gaskets and glass (60 days) |
| Load capacity | 10 shelves for full size sheet pans | |
| High speed reversing fans | 3 (3,200 rpm) | |
| Space between shelves | 3.14" (80 mm) | |
| Power requirements | 20,000 Watts / 208-240V/60/3 Oven supplied with power cord only / no plug | |
| Temperature | 86° - 545° F | |
| Equipped with | 120 minute timer - signal at end of cycle | |
| Cavity size (inches) | 28.35 x 22.20 x 37.32 (WxDxH) | |
| Unit dimensions (inches) | 38.60 x 33.64 x 49.58 (WxDxH) | |
| Shipping dimensions (inches) | 41.35 x 40.55 x 52.37 (WxDxH) | |
| Net / Ship weight | 313 lb / 353 lb | |

COMBI ACCESSORIES



AX-C10ST OVEN STAND

- Heavy duty oven stand with tray support
- Slides accommodate full size pans
- Dimensions: 33.47" x 24.40" x 31.50"
- Heavy duty stainless steel (assembly required)
- Ship weight: 54 lbs
- Shipping dimensions: 38.60" x 28.35" x 8.66"



R15 CASTERS

Set of 4 (2 with brakes)



STACKING KIT



HEAVY DUTY DEGREASER RTU

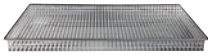


COMBI OVEN CLEANER



WATER FILTER

COMBI OVEN TRAYS



124-GP31 FRY GRID



124-GP32 GRIDDLE GRID



124-GP28 GRANITE MULTI-BAKING TRAY



124-GP36 MULTIFUNCTIONAL NON STICK ALUMINUM TRAY



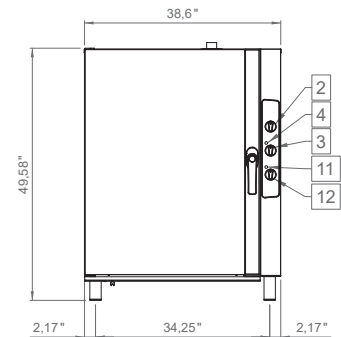
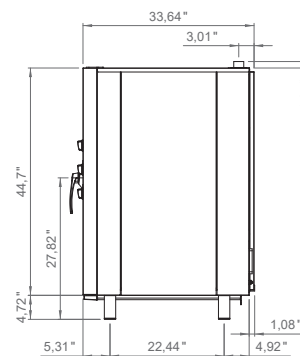
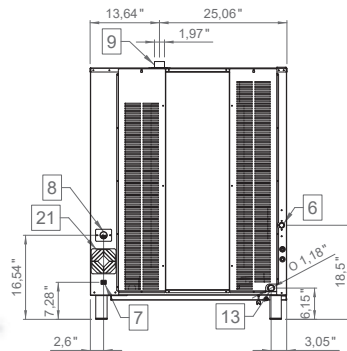
124-PT12 60X40 ALUMINUM PERFORATED TRAY



124-PT13 60X40 ALUMINUM TRAY

LINE DRAWINGS

AX-CL10M



514-737-9701 786-600-4687

TOLL FREE: 888-275-4538

TOLL FREE: 844-218-8477

5659 ROYALMOUNT AVE, MONTREAL, QC, CANADA H4P2P9

12000 BISCAYNE BLVD, SUITE #108, MIAMI, FL, USA 33181

MVPGROUPCORP.COM SALES@MVPGROUPCORP.COM