

Item #: 178SSDOSP1 Project: \_\_\_\_\_

Qty: \_\_\_\_\_ Date: \_\_\_\_\_ Approval: \_\_\_\_\_

## Avantco 178SSDOSP1 Stainless Steel Double Deck Overshelf for SSPPT-1 Series - 17 5/8" x 44 1/2"

Item #178SSDOSP1



### Technical Data

Length	44 1/2 Inches
Width	17 5/8 Inches
Height	32 11/16 Inches
Color	Silver
Features	NSF Listed
Gauge	18 Gauge
Material	Stainless Steel
Style	Double
Type	Overshelves

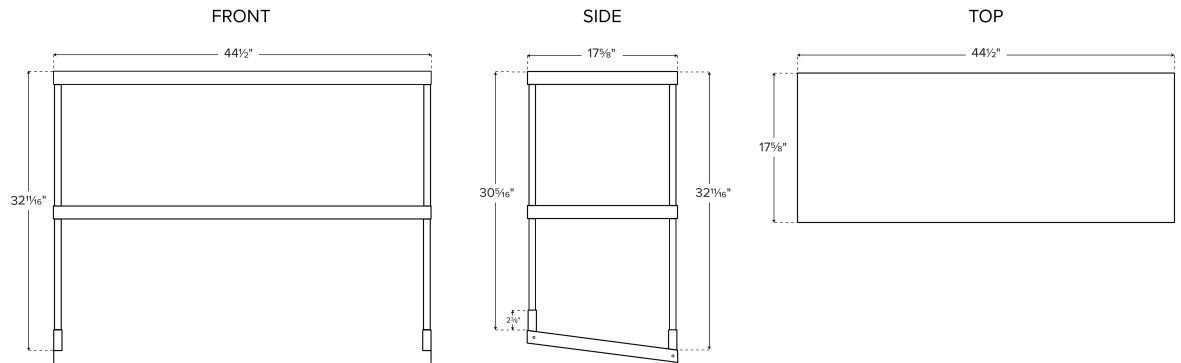
### Features

- Double deck adds extra storage space for prep tools and ingredients
- Durable 18 gauge stainless steel construction
- For SSPPT-1 series
- Set screws and allen wrench included

### Certifications



## Plan View



## Notes & Details

If you operate a commercial kitchen, you know the value of efficiently managing your space. With this Avantco 178SSDOSP1 stainless steel double deck overshelf, you can take advantage of the unused, vertical space above your prep refrigerator! Thanks to the durable stainless steel construction, this overshelf holds up against harsh commercial use, while providing two tiers of shelving to store prep tools, ingredients, or food pans.

Measuring 44 1/2" wide, this overshelf is designed to fit select 44" long Avantco pizza prep refrigerators. Be sure you're maximizing all available space in your kitchen with this overshelf!

**⚠ WARNING:** This product can expose you to chemicals including lead, which are known to the State of California to cause cancer, birth defects, or other reproductive harm. For more information, go to [www.p65warnings.ca.gov](http://www.p65warnings.ca.gov).