

Item #: 178SSDOS7118 Project: \_\_\_\_\_

Qty: \_\_\_\_\_ Date: \_\_\_\_\_ Approval: \_\_\_\_\_

## Avantco 178SSDOS7118 Stainless Steel Double Deck Overshelf - 18" x 70 3/8"

Item #178SSDOS7118



### Technical Data

Length	70 3/8 Inches
Width	18 Inches
Height	32 Inches
Color	Silver
Features	NSF Listed
Material	Stainless Steel
Style	Double
Type	Overshelves

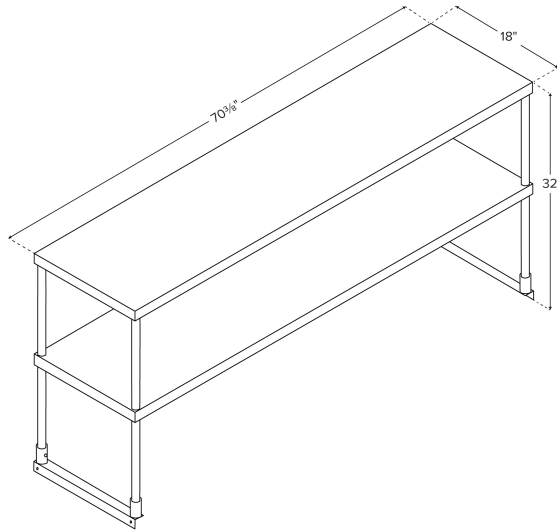
### Features

- Designed for select Avantco prep refrigerators
- Double deck adds extra storage space for prep tools and ingredients
- Durable stainless steel construction
- 18" wide by 70 3/8" long

### Certifications



## Plan View



## Notes & Details

If you operate a commercial kitchen, you know the value of efficiently managing your space. With this Avantco 178SSDOS7118 stainless steel double deck overshelf, you can take advantage of the unused, vertical space above your prep refrigerator! Thanks to the durable stainless steel construction, this overshelf holds up against harsh commercial use, while providing two tiers of shelving to store prep tools, ingredients, or food pans.

Measuring 18" wide, this overshelf is designed to fit select 71" long Avantco sandwich prep refrigerators. Be sure you're maximizing all available space in your kitchen with this overshelf!

**⚠ WARNING:** This product can expose you to chemicals including lead, which are known to the State of California to cause cancer, birth defects, or other reproductive harm. For more information, go to [www.p65warnings.ca.gov](http://www.p65warnings.ca.gov).