

Item #: 178SSDOS6012 Project: _____

Qty: _____ Date: _____ Approval: _____

Avantco 178SSDOS6012 Stainless Steel Double Deck Overshelf - 12" x 60"

Item #178SSDOS6012



Technical Data

Length	60 Inches
Width	12 Inches
Height	32 Inches
Color	Silver
Features	NSF Listed
Gauge	18 Gauge
Material	Stainless Steel
Stainless Steel Type	Type 430
Style	Double
Type	Overshelves

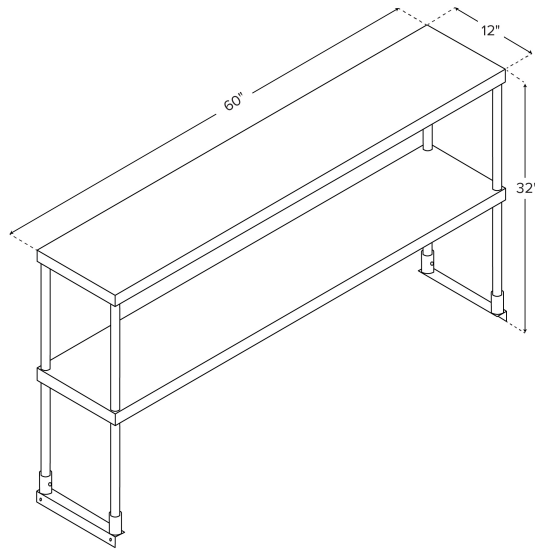
Features

- Adds precious storage space to your kitchen or prep area
- Double shelf design for increased capacity and improved organization
- Shelves attach easily to posts using set screws
- Set screws and allen wrench included
- Made of 18 gauge, type 430 stainless steel

Certifications



Plan View



Notes & Details

Take advantage of the unused space above select Avantco sandwich / salad prep or undercounter refrigerators by adding this 178SSDOS6012 double deck overshelf! It is equipped with 2 shelves to truly maximize the available space in your busy kitchen or prep area, giving you greater capacity than a single shelf and allowing you to better organize your gloves, labels, timers, spices, and more. Its 18 gauge, type 430 stainless steel construction ensures long-lasting durability and mounts easily onto the end of your unit using the "L" bracket, while attaching the posts is as simple as tightening the included set screws.

⚠ WARNING: This product can expose you to chemicals including lead, which are known to the State of California to cause cancer, birth defects, or other reproductive harm. For more information, go to www.p65warnings.ca.gov.