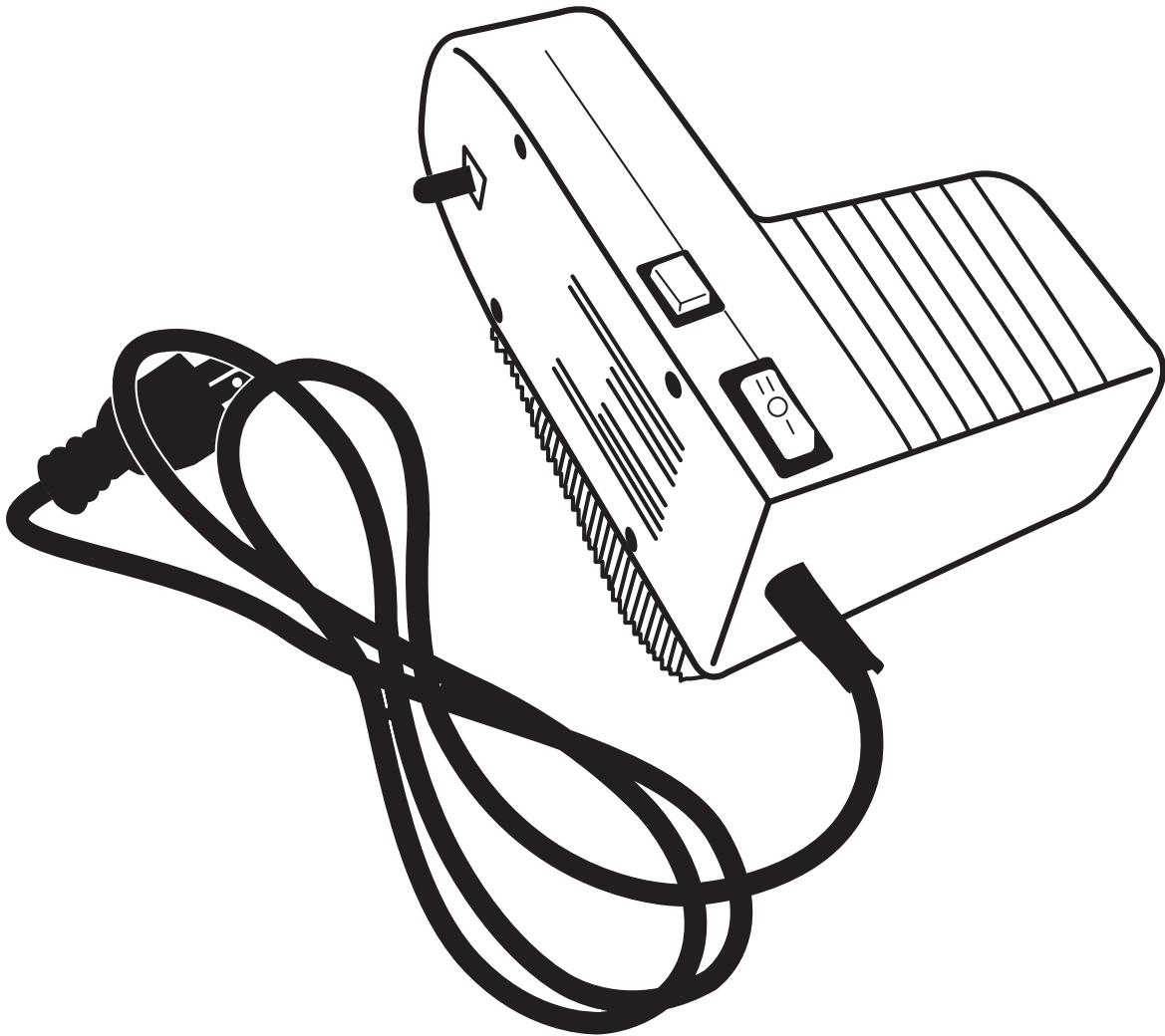


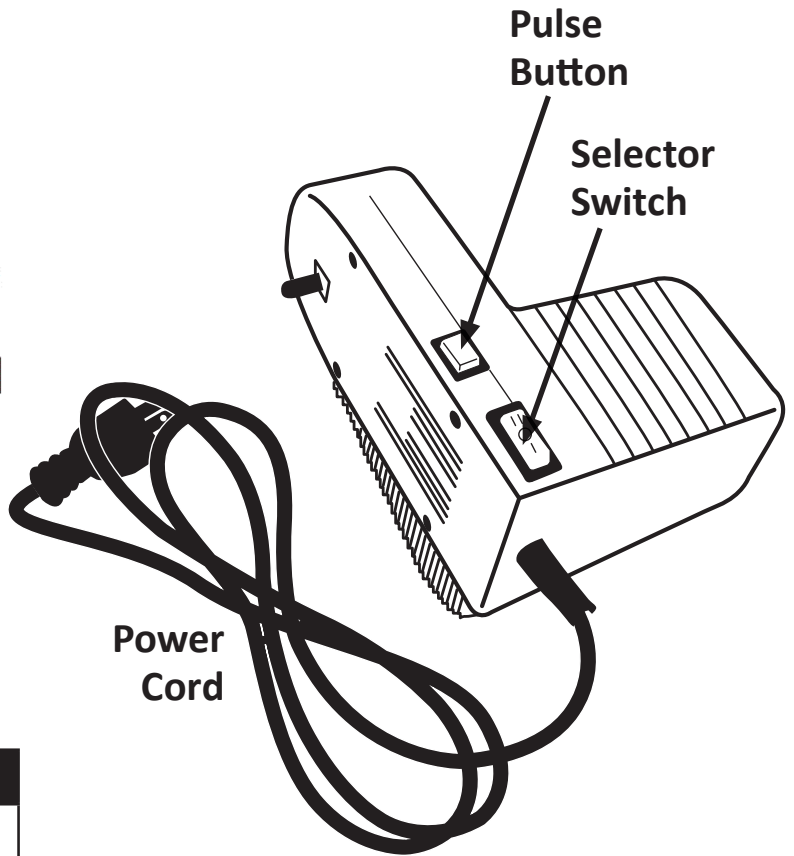
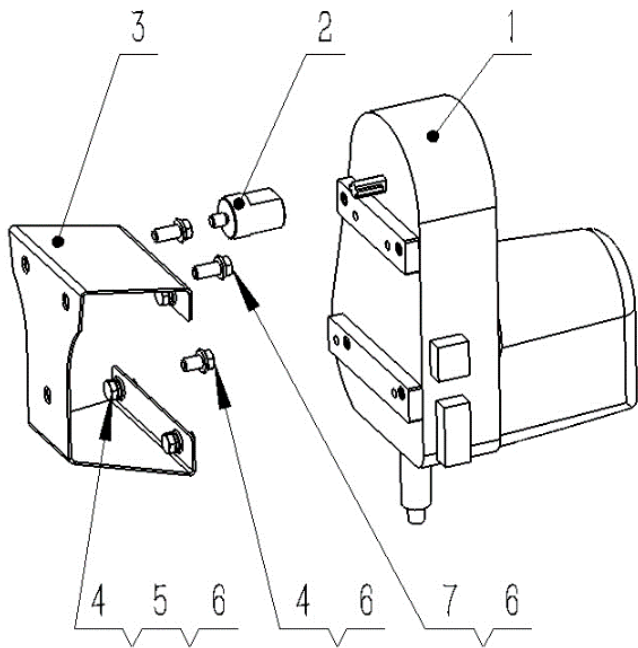
BACKYARD PRO

BUTCHER SERIES

MEAT TENDERIZER MOTOR INSTRUCTION MANUAL



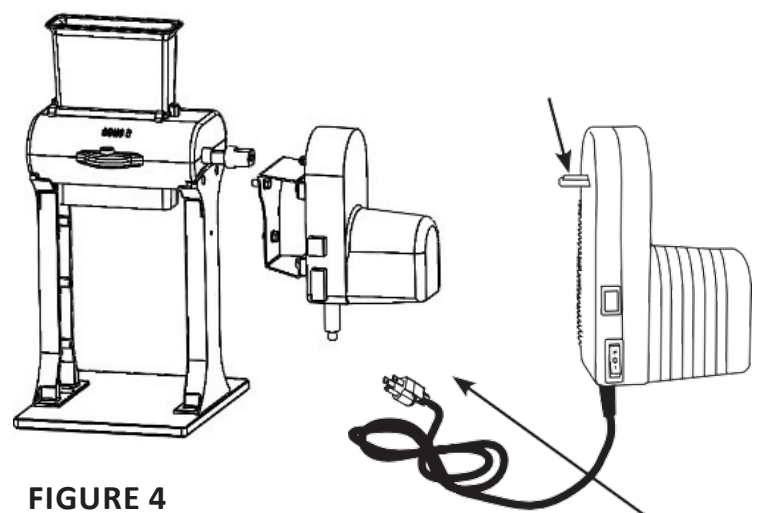
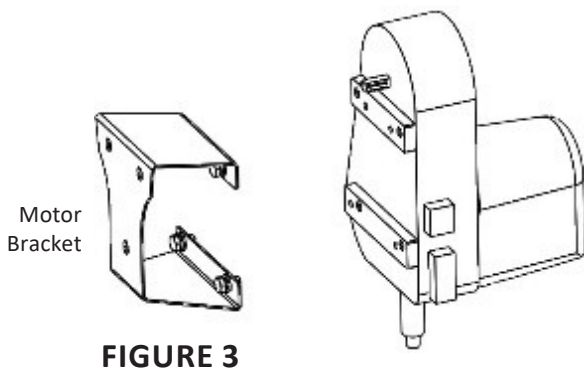
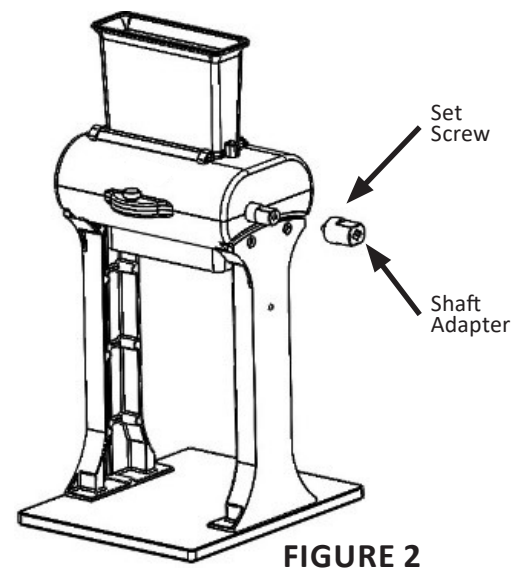
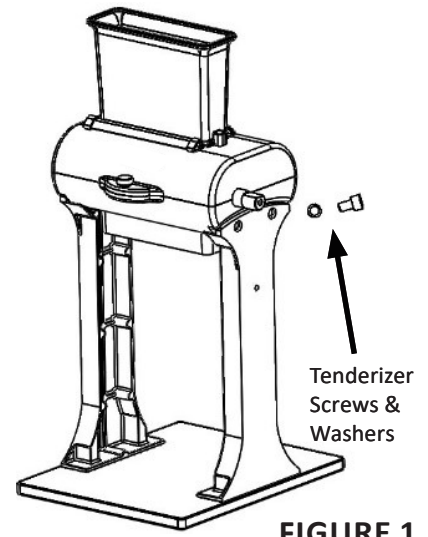
COMPONENT LIST



Part No.	Description	Qty.
1	2-Speed Motor	1
2	Adapter	1
3	Motor Bracket	1
4	Hexagon Head Bolts M6 x 12	5
5	Spring Washers 6	4
6	Flat Pads 6	7
7	Hexagon Head Bolts M6 x 16	2

ASSEMBLY INSTRUCTIONS

1. Assemble the Manual Tenderizer per the instructions that came with the unit.
2. Remove the Handle from the Manual Tenderizer and set it aside. The Handle will not be used when the motor is attached.
3. Remove the two Screws and Washers from the handle side of the Manual Tenderizer (**FIGURE 1**).
4. Screw the Adapter (part 2) into the Auger Shaft of the Manual Tenderizer and tighten the Adaptor Set Screw (**FIGURE 2**).
5. Align the motor bracket holes with the Motor (part 1), and using the Short Hex Bolts, Spring and Flat Washers (parts 4, 5, 6) fasten the Motor Bracket (part 3) to the Motor (**FIGURE 3**).
6. Align the Motor and Bracket together with the side of the Tenderizer, then insert the Motor Shaft into the Adapter (part 2).
7. Once aligned, fasten the Motor and Bracket to the tenderizer in the preexisting leg screw holes using Long Hex Head Bolts (part 7) and Flat Washers (part 6). Using the remaining Short Hex Bolt (part 4) and Flat Washer (part 6), fasten the Motor Bracket to the lower leg hole (**FIGURE 4**).
8. The 2-Speed Motor is now fully assembled and ready for use. Be sure to read and understand the instructions that came with your tenderizer for safe operation.



6 MONTH WARRANTY

EQUIPMENT LIMITED WARRANTY

Backyard Pro Butcher Series warrants its equipment to be free from defects in material and workmanship for a period of **6 months**. This is the sole and exclusive warranty made by Backyard Pro Butcher Series covering your Backyard Pro Butcher Series brand equipment. A claim under this warranty must be made within **6 months** from the **date of purchase** of the equipment. Only the equipment's original purchaser may make a claim under this warranty. Backyard Pro Butcher Series reserves the right to approve or deny the repair or replacement of any part or repair request. The warranty is not transferable.

To Make a Warranty Claim:

For Warranty Inquiries contact the location where you purchased the product:

- **WebstaurantStore.com:** Contact help@webstaurantstore.com. Please have your order number ready.
- **The Restaurant Store:** If you purchased this unit from your local store, please contact your store directly.
- **TheRestaurantStore.com:** Online purchases, call 717-392-7261. Please have your order number ready.

Failure to contact the designated location prior to obtaining equipment service may void your warranty.

Backyard Pro Butcher Series makes no other warranties, express or implied, statutory or otherwise, and **HEREBY DISCLAIMS ALL IMPLIED WARRANTIES, INCLUDING THE IMPLIED WARRANTIES OF MERCHANTABILITY AND OF FITNESS FOR A PARTICULAR PURPOSE.**

This Limited Warranty does not cover:

- Equipment sold or used outside the Continental United States
- Backyard Pro Butcher Series has the sole discretion on wearable parts not covered under warranty
- Equipment not purchased directly from an authorized dealer
- Equipment that has been altered, modified, or repaired by anyone other than an authorized service agency
- Equipment where the serial number plate has been removed or altered.
- Damage or failure due to improper installation, improper utility connection or supply, and issues resulting from improper ventilation or airflow.
- Defects and damage due to improper maintenance, wear and tear, misuse, abuse, vandalism, or Act of God.

Any action for breach of this warranty must be commenced within **6 months** of the date on which the breach occurred. No modification of this warranty, or waiver of its terms, shall be effective unless approved in a writing signed by the parties. The laws of the Commonwealth of Pennsylvania shall govern this warranty and the parties' rights and duties under it. Backyard Pro Butcher Series shall not under any circumstances be liable for incidental or consequential damages of any kind, including but not limited to loss of profits.

