

Item #: 194kmch322ba Project: _____

Qty: _____ Date: _____ Approval: _____

Avantco Ice KMC-H-322-A 22" Air Cooled Modular Half Cube Ice Machine with Bin - 350 lb.

Item #194KMCH322BA



Technical Data

Width	22 Inches
Depth	32 11/16 Inches
Height	67 11/16 Inches
Bin Width	22 Inches
Bin Depth	32 11/16 Inches
Bin Height	45 5/16 Inches
Amps	12 Amps
Hertz	60 Hertz
Phase	1 Phase
Voltage	115 Volts
24 Hour Ice Yield	300 to 500 Pounds
Ambient Temperature Range	40 - 90 Degrees F
Bin Storage Capacity	275 lb.
BTU Per Hour	2696 BTU
Color	Silver
Condenser Type	Air Cooled
Ice Type	Half Size Cubes
Installation Type	Modular
Material	Stainless Steel
Plug Type	NEMA 5-15P
Power kWh/100 lbs. Ice	5.1 kWh
Power Usage	5.1 kWh per 100 lbs.
Refrigerant Type	R-290
Type	Ice Machines with Bins
Water Pressure Range	18 3/4 - 80 PSI
Water Temperature Range	40 - 90 Degrees F
Water Usage	14.1 Gallons per 100 lbs.

Avantco Ice Machines

Features

- Makes up to 350 lb. of half cube ice per day
- Durable 304 stainless steel exteriors with polyethylene interiors
- Digital controller allows user to quickly identify issues
- Bright LED lights illuminate the ice bin
- Kit includes ice machine, ice bin, and sanitary ice scoop

Certifications



5-15P

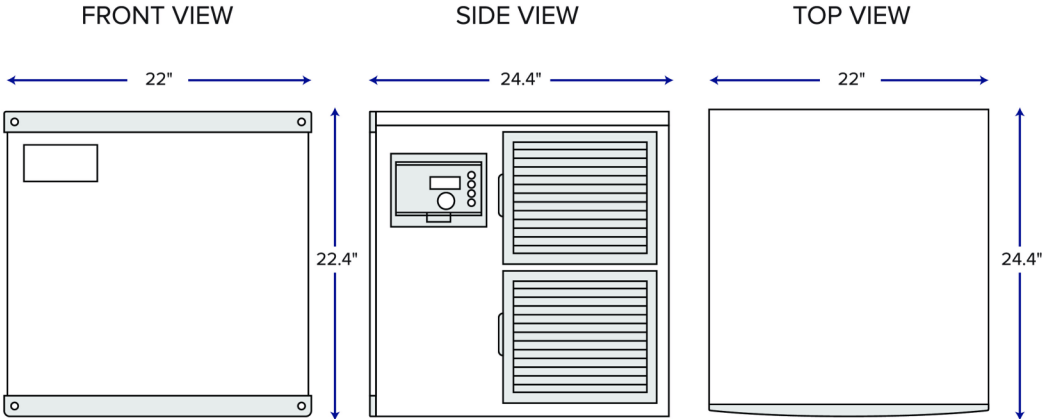
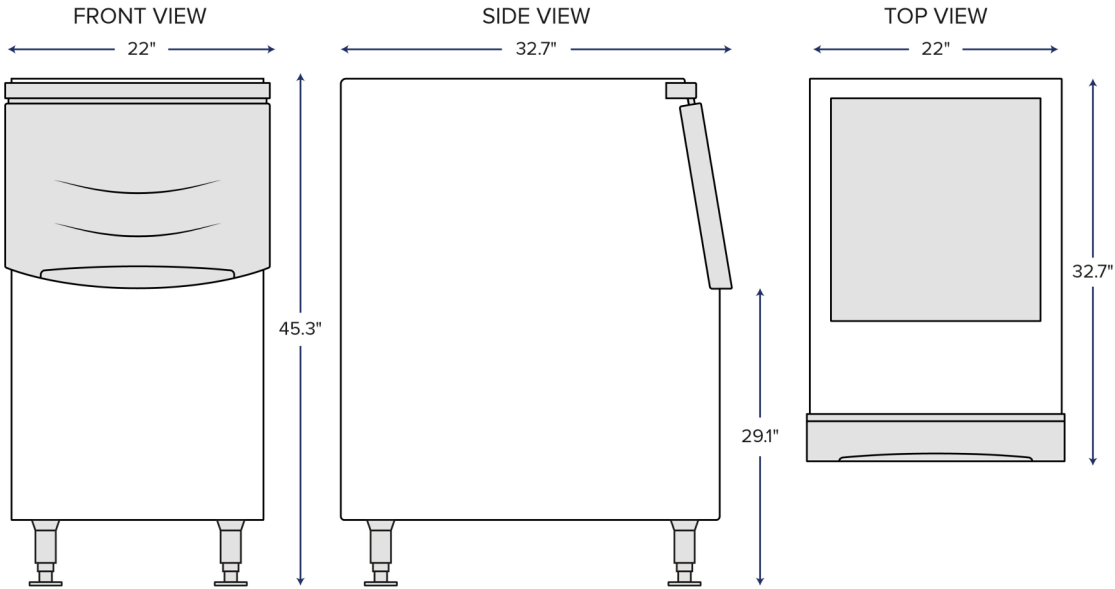


3/4" Water Connection



ETL Sanitation

Plan View



Notes & Details

Make sure you've always got plenty of fresh ice on hand with the Avantco Ice KMC-H-322-A 22" air cooled modular half cube ice machine with bin! Capable of producing up to 350 lb. of half cube ice per day, you'll always have plenty of ice to serve on demand. Not only that, with an included ice bin that holds an impressive 275 lb. of ice, this ice machine and bin duo are perfect for preventing periods of downtime while ice is being made. This kit also comes with an ice scoop for a complete set.

For ease of maintenance, a built in diagnostic system will identify problems that your ice machine may be having and will display the issue on the digital controller so it can be repaired accordingly. This easy-to-use controller can also be used to monitor the current stage of ice production that your machine is in. It allows you to adjust the bridge thickness up or down to maximize your harvest into individual cubes of ice, rather than full sheets. It also initiates the cleaning cycle and displays what stage of the cycle you're in.

Thanks to their durable type 304 stainless steel construction with polyethylene interiors, these units are built to last, and at only 30" in width, are great for kitchens where space is at a premium. Plus, (4) 6" adjustable legs stabilize the unit on uneven floors. A nickel plated evaporator and removable air filter make for quick and simple cleaning and maintenance. The ice machine comes with pre-drilled holes on the back of the unit to mount your OceanLoch water filter to the machine to ensure you are serving the cleanest and freshest ice possible. The ice machine is also designed for side-breathing and rear exhaust, which prevents hot air from being blown outward into your kitchen or service area. This unit requires a 115V electrical connection for operation.

Kit Includes:

- (1) Avantco Ice KMC-H-322-A 22" air cooled modular half cube ice machine - 350 lb.
- (1) Avantco Ice BIN23022 22" ice storage bin - 275 lb.

⚠ WARNING: This product can expose you to chemicals including lead, which are known to the State of California to cause cancer, birth defects, or other reproductive harm. For more information, go to www.p65warnings.ca.gov.