

Avantco FF400 Natural Gas 50 lb. Stainless Steel Floor Fryer - 120,000 BTU

Item #177FF400N



Technical Data

Width	15 1/2 Inches
Depth	30 1/4 Inches
Height	47 1/8 Inches
Fry Pot Width	14 Inches
Fry Pot Depth	13 3/4 Inches
Burner Style	Tube
Cabinet	Stainless Steel
Capacity	50 lb.
Control Type	Millivolt
Gas Inlet Size	3/4 Inches
Number of Fry Baskets	2 Fry Baskets
Number of Fry Pots	1 Fry Pots
Power Type	Natural Gas
Split Pot	Without Split Pot
Temperature Range	200 - 400 Degrees F
Total BTU	120000 BTU
Type	Gas Floor Fryers

Features

- All stainless steel tank, door, front, top, ledge, and header; galvanized steel sides
- Easy to use thermostat for accurate and adjustable temperature between 200-400 degrees Fahrenheit
- 50 lb. fry pot, with an efficient 4 tube burner system, full port drain, and drain pipe extension
- Two nickel chrome wire mesh fry baskets included
- Natural gas, 120,000 BTU

Certifications



ETL Sanitation

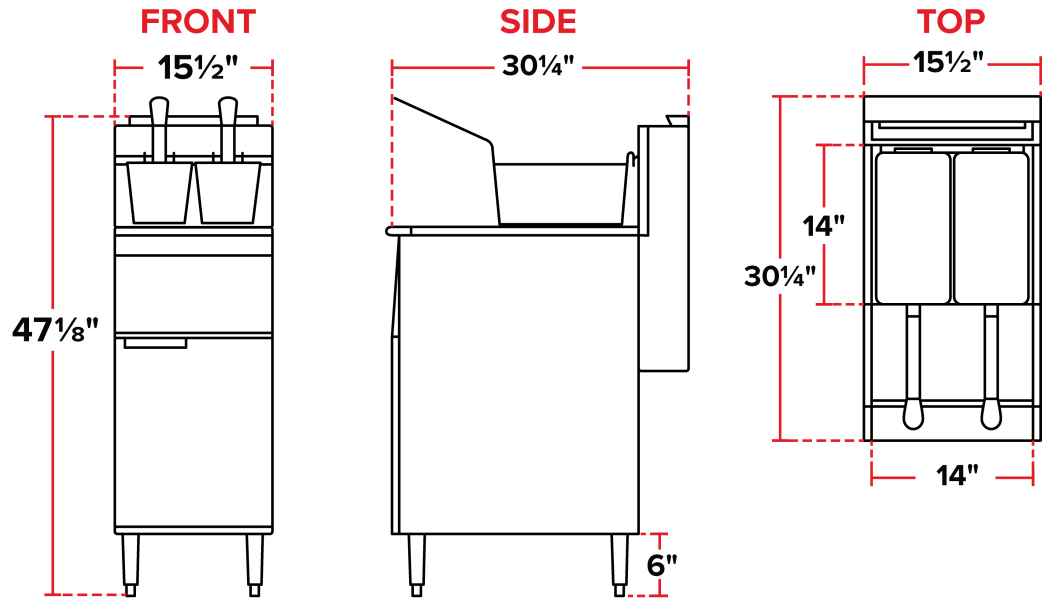


ETL US & Canada



3/4" Gas Connection

Plan View



Notes & Details

A reliable workhorse for any commercial kitchen, the Avantco FF400 natural gas 50 lb. stainless steel floor fryer quickly cooks your most popular fried foods, delivering excellent results every time. It utilizes four heat exchange tubes to deliver 120,000 BTUs of power while taking up minimal kitchen space, and its type 430 stainless steel tank ensures outstanding durability and long product life. And thanks to its fast recovery time, this fryer is sure to keep up with your busiest hours.

The Avantco FF400 floor fryer features a cool zone in its fry tank, collecting excess batter and crumbs and allowing them to sink to the bottom of the tank for easy cleaning. A 1 1/4" ball type full port drain lets you quickly remove used oil, and an Invensys thermostat allows temperature adjustment from 200 to 400 degrees Fahrenheit. This fryer also has a stainless steel door, front, and header, while its galvanized sides and back ensure a strong structure. A convenient tube rack supports the two included nickel chrome wire mesh fry baskets, and 6" adjustable legs make it easy to clean the floor underneath.

⚠ WARNING: This product can expose you to chemicals including lead, which are known to the State of California to cause cancer, birth defects, or other reproductive harm. For more information, go to www.p65warnings.ca.gov.