

Item #: 177SS30V Project: \_\_\_\_\_

Qty: \_\_\_\_\_ Date: \_\_\_\_\_ Approval: \_\_\_\_\_



## Avantco SS-30V 30 lb. Stainless Steel Vertical Manual Sausage Stuffer with 1/2", 3/4", 1 1/4", and 1 1/2" Stainless Steel Funnels

Item #177SS30V



### Technical Data

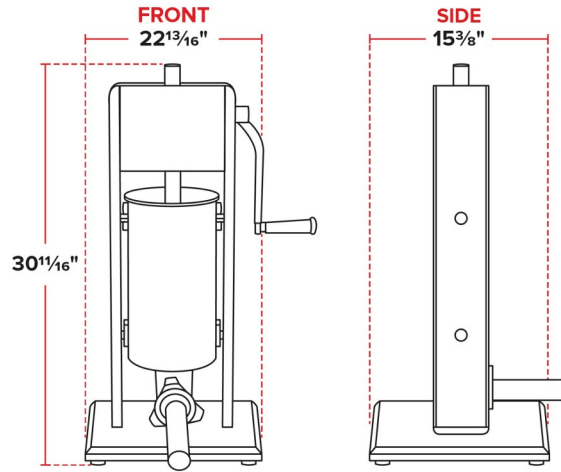
Length	22 13/16 Inches
Width	15 3/8 Inches
Height	30 11/16 Inches
Capacity	30 lb.
Material	Stainless Steel
Power Type	Manual
Type	Vertical Sausage Stuffers
Usage	Heavy Duty

### Features

- 30 lb. stainless steel sausage stuffer with a vertical design that saves counter space
- Type 201 stainless steel sides; type 304 stainless steel canister for durability and easy cleaning
- Enclosed steel gears with 2 speed options; heavy-duty pressure release valve for ultimate precision
- Includes 1/2", 3/4", 1 1/4", and 1 1/2" stainless steel funnels for a variety of products
- Large rubber feet and a heavy base help prevent rocking during use

Avantco Equipment

## Plan View



## Notes & Details

Make kielbasa, chorizo, bratwurst, and other mouthwatering meats with this Avantco SS-30V 30 lb. vertical manual sausage stuffer with 1/2", 3/4", 1 1/4", and 1 1/2" stainless steel funnels! This unit boasts a vertical design that delivers reliable performance while taking up minimal counter space. It includes 1/2", 3/4", 1 1/4", and 1 1/2" stainless steel funnels so you can make snack sticks, sausage, and luncheon meats without needing to buy any additional accessories. The four sizes of funnels allows you to use nearly infinite sizes of collagen, fibrous, and natural casings to make your special dishes.

The stuffer has enclosed steel gears that turn with two speed options so you can easily attach the handle to a fast-or-slow-turning shaft, combining with a pressure relief valve to offer precise control over your product's consistency. The handle and gear design give you greater leverage and make turning and stuffing sausage easier than ever. Large all-metal drive gears and piston rod are made to deliver the pressure needed to stuff sausages big and small, with ultimate control and consistency thanks to the built-in pressure valve. Plus, the heavy-duty gasket completely seals the cylinder to prevent any meat or air leaks that would compromise the perfect sausage.

Type 201 stainless steel sides and a removable type 304 stainless steel tilt out canister ensure long-lasting durability as well as quick and simple cleaning. This sausage stuffer features large rubber feet and a heavy base to help prevent rocking during use. Add this rugged, large capacity sausage stuffer to your commercial kitchen or butcher shop to expand your sausage selection!

**⚠ WARNING:** This product can expose you to chemicals including lead, which are known to the State of California to cause cancer, birth defects, or other reproductive harm. For more information, go to [www.p65warnings.ca.gov](http://www.p65warnings.ca.gov).