

Avantco T140 Commercial 10" Wide Conveyor Toaster with 3" Opening - 120V, 1750W - 300 Slices per Hour

Item #184T140



Technical Data

Width	14 1/2 Inches
Depth	17 Inches
Height	16 1/2 Inches
Conveyor Width	10 Inches
Depth (with pass-through)	30 Inches
Feeder Opening Height	3 Inches
Amps	14.6 Amps
Hertz	60 Hertz
Phase	1 Phase
Voltage	120 Volts

Features

- Toasts up to 300 slices of bread or bagels per hour; fits two slices side-by-side on 10" wide belt
- 3" opening for a variety of breads, bagels, and muffins; front product guide helps load food safely
- Fully adjustable conveyor speed and 4-setting heat control to achieve the perfect toast
- Standby mode reduces power for slow periods while reducing preheat time at high-service periods
- 120V, 1750W

Certifications



5-15P



ETL Sanitation

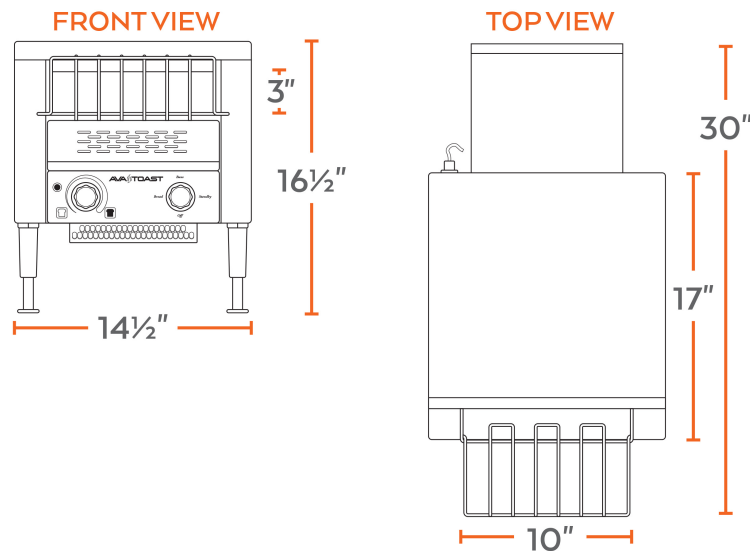


ETL, US

Technical Data

Wattage	1750 Watts
Color	Silver
Control Type	Infinite
Features	Pass-Through
Heating Source	Radiant
Installation Type	Countertop
Plug Type	NEMA 5-15P
Power Type	Electric
Slices Per Hour	300 Slices
Style	Horizontal
Temperature Settings	Adjustable
Type	Conveyor Toasters
Usage	Standard Volume

Plan View



Notes & Details

Let the irresistible aroma of warm, golden brown, toasted bread and bagels tempt customers at your cafe, coffee shop, hotel, or breakfast buffet with the Avantco T140 conveyor toaster! This conveyor toaster can toast up to 300 slices of bread or bagel halves per hour, letting you keep up with your busiest hours throughout the day. Its 10" wide conveyor belt and 3" slot accommodates large quantities of your most popular foods, and the different conveyor speeds let you toast different items to perfection.

For versatility, this toaster can dispense product from the front or back on the included chutes. Its stainless steel exterior provides long-lasting durability, while a pull-out crumb tray makes it easy to clean. And thanks to its energy-saving standby mode, you can conserve energy when this toaster isn't in use. The toaster requires a 120V electrical connection for operation.

⚠ WARNING: This product can expose you to chemicals including lead, which are known to the State of California to cause cancer, birth defects, or other reproductive harm. For more information, go to www.p65warnings.ca.gov.