



Item #: 177WB29L Project: _____

Qty: _____ Date: _____ Approval: _____

Avantco WB29L 7.6 Gallon 196 Cup (29 Liter) Water Boiler - 120V, 1500W

Item #177WB29L



Technical Data

Width	15 Inches
Depth	12 Inches
Height	26 Inches
Amps	12.5 Amps
Hertz	60 Hz
Phase	1 Phase
Voltage	120 Volts
Wattage	1500 Watts
Boil Time	93 Minutes
Capacity	7.6 Gallons

Avantco Equipment

Features

- Double-wall stainless steel tank with 2-way, non-drip spigot and polished finish
- Cool-touch handle with locking system enables safe use and transport
- Heating and keep-warm light monitor temperatures, while boil-dry protection fuse offers safety
- Variable temperature control between 80 and 212 degrees Fahrenheit
- 980 oz. total capacity serves 196 (5 oz.) cups; 120V, 1500W, 60 Hz

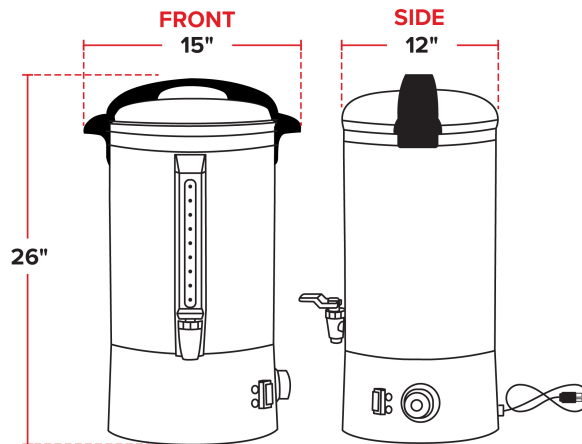
Certifications



Technical Data

Color	Silver
Control Type	Analog
Cover Type	Lid
Installation Type	Countertop
Number of Compartments	1 Compartment
Plug Type	NEMA 5-15P
Power Type	Electric
Style	Pourover
Temperature	80 - 212 Degrees F
Temperature Control	Adjustable
Type	Hot Water Boilers
Usage	Standard Duty
Water Source	Pourover

Plan View



Notes & Details

Hot water is ready "on tap" with the Avantco 196 cup water boiler! This stainless steel tank heats and holds an impressive 29 liters or 7.6 gallon of hot water with a variable temperature control between 80 and 212 degrees Fahrenheit so tea and other beverages are always available for large groups. This hot water dispenser features a double-wall stainless steel body with a 2-way, non-drip spigot to effortlessly offer hot water on demand while minimizing spills.

Ideal for catering events, hotels, offices, churches, and schools, this Avantco water boiler is a part of complete beverage service. The boiler's cool-touch handle and convenient locking system ensure your safe use, making it an excellent addition to larger facilities and business spaces. Its heating and keep-warm light help you monitor temperatures, while its boil-dry protection fuse offers added safety. It requires a 120V connection to operate.

⚠ WARNING: This product can expose you to chemicals including lead, which are known to the State of California to cause cancer and birth defects or other reproductive harm. For more information, go to www.p65warnings.ca.gov.