

Avantco SL512 12" Manual Gravity Feed Meat Slicer - 5/8 hp

Item #177SL512



Technical Data

Width	19 Inches
Depth	25 Inches
Height	17 Inches
Maximum Product Width	11 Inches
Maximum Product Height	8 Inches
Amps	3.75 Amps
Hertz	60 Hertz
Phase	1 Phase
Voltage	120 Volts
Wattage	450 Watts

Features

- Razor sharp 12" stainless steel blade powered by a 5/8 hp motor to keep up with commercial demands
- Large sturdy base made of high quality aluminum construction; rated for 3-4 hours of use daily
- Easy to use built-in sharpener ensures your blade stays like new
- Adjustable thickness knob allows for precise slicing from 1/16" to 1/2" with 11" x 11" product tray
- Manual feed carriage glides smoothly for easy operation and is removable for cleaning

Certifications



5-15P



ETL, US & Canada

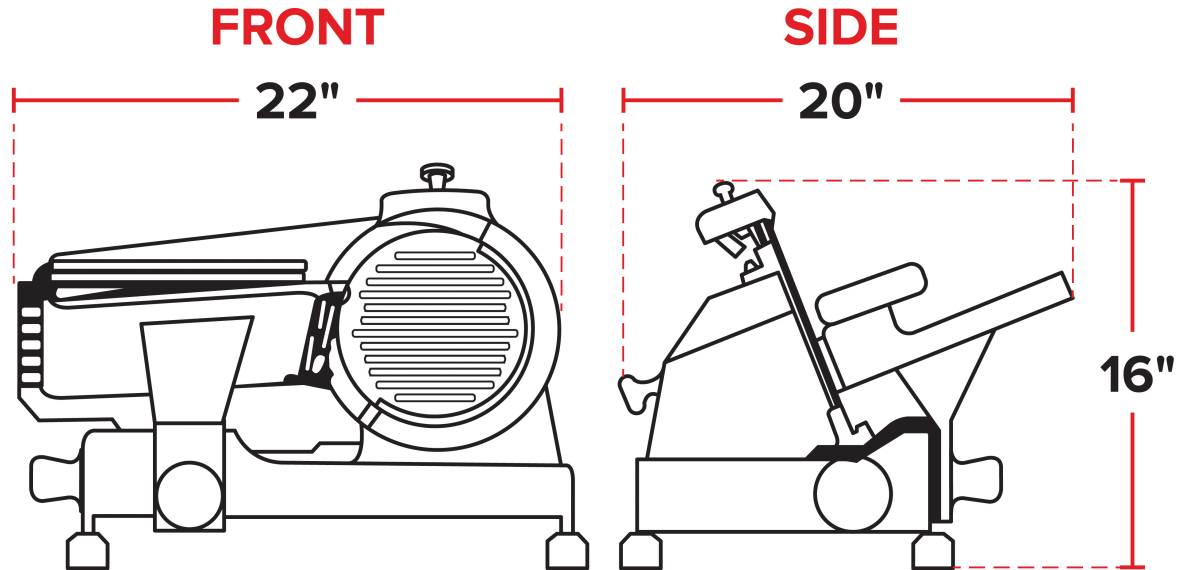


ETL Sanitation

Technical Data

Blade Size	12 Inches
Horsepower	5/8 HP
Installation Type	Countertop
Operation	Manual
Plug Type	NEMA 5-15P
Power Type	Electric
Slicer Usage	Mid Tier
Slices Cheese	Can Slice Cheese

Plan View



Notes & Details

Slice your signature meats with precision and ease using this Avantco SL512 12" manual gravity feed slicer! It's great for slicing vegetables and processed meat for several hours a day, making it great for delis, coffee shops, sub shops, and small restaurants. It's also easy to use, with adjustable slice thicknesses from 1/16" to 1/2".

This slicer is made of top quality aluminum for durability and easy cleaning, and it features a built-in sharpening assembly. The meat carriage is also removable for easy cleanup, and a fixed ring guard provides safety. For optimum power, the stainless steel blade is belt-driven by a 5/8 hp motor.

The Avantco SL512 is rated for medium-volume applications of 3-4 hours of slicing per day. While it can handle continuous use, it is not suitable for slicing raw or frozen meat, and it should not be used to slice cheese for more than 30 minutes per day.

⚠ WARNING: This product can expose you to chemicals including lead, which are known to the State of California to cause cancer, birth defects, or other reproductive harm. For more information, go to www.p65warnings.ca.gov.