

Avantco MT64 Stainless Steel 64 Blade Meat Tenderizer with 3/16" Meat Stripper Attachment - 115V, 1/2 hp

Item #177MT64KT316



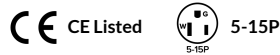
Technical Data

Width	8 Inches
Depth	18 1/4 Inches
Height	16 3/4 Inches
Voltage	115 Volts
Wattage	350 Watts
Blade Material	Stainless Steel
Color	Silver
Horsepower	1/2 HP
Material	Stainless Steel
Number of Blades	64

Features

- Tenderizes or slices meat up to 8" wide x 3/4" thick
- Durable stainless steel construction is easy to clean
- Tenderizer blade is perfect for softening tough cuts of meat like pork or steak
- 3/16" stripper function is ideal for cutting meat into uniform strips
- Create fun signature dishes like fajitas; 115V, 1/2 hp

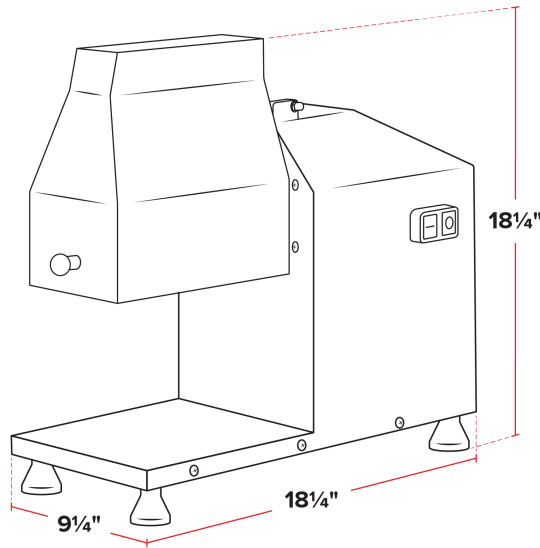
Certifications



Technical Data

Plug Type	NEMA 5-15P
Power Type	Electric
Type	Meat Strip Cutters Meat Tenderizers

Plan View



Notes & Details

Tenderize and slice your signature meats with precision and ease using this Avantco MT64 stainless steel 64 blade meat tenderizer! A great addition to your deli, local butcher shop, high-output restaurant, or neighborhood market, this meat tenderizer is the perfect solution for your tenderizing and slicing needs. Combining a powerful 1/2 hp motor with razor sharp stainless steel blades, this unit delivers superior precision and power.

This unit is able to tenderize or slice meat up to 8" wide and 3/4" thick, allowing you to prepare anything from pork to chicken! The tenderizer blade is perfect for softening and tenderizing even the toughest cuts of meat, like steak or pork. The tenderizer also includes a 3/16" stripper attachment, which is great for cutting meats like chicken or steak into uniform strips to help you create fun signature dishes, like fajitas. Its durable stainless steel construction is equipped to handle heavy-duty use and is incredibly easy to clean to avoid cross contamination. This unit requires a 115V electrical connection for operation.

⚠ WARNING: This product can expose you to chemicals including lead, which are known to the State of California to cause cancer, birth defects, or other reproductive harm. For more information, go to www.p65warnings.ca.gov.