

Item #: 177HLDBL24SS Project: _____

Qty: _____ Date: _____ Approval: _____

Avantco HLDBL24SS 24" Dual Arm Stainless Steel Heat Lamp - 120V, 500W

Item #177HLDBL24SS



Technical Data

Height	24 Inches
Diameter	6 1/2 Inches
Power Cord Length	74 13/16 Inches
Phase	1 Phase
Voltage	120 Volts
Wattage	500 Watts
Base Material	Metal
Bulb Color	Red
Color	Silver
Control Type	On/Off

Features

- Includes (2) 250W shatterproof bulbs for long-lasting heat and an attractive display
- Made of durable stainless steel
- Flexible arm construction to move the warmer as needed
- Attractive finish and drilled stainless steel shade
- On / off toggle switch located away from heat zone for safety

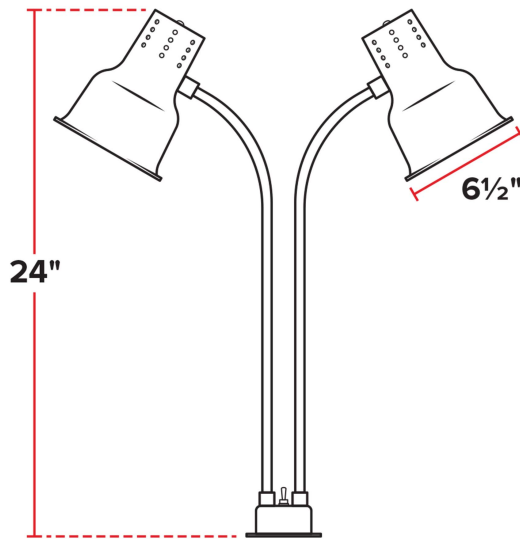
Certifications



Technical Data

Finish	Stainless Steel
Installation Type	Clamp / Screw On
Material	Stainless Steel
Number of Bulbs	2 Bulbs
Plug Type	NEMA 5-15P
Power Type	Electric
Style	Flexible Arm
Type	Heat Lamps

Plan View



Notes & Details

Keep food hot and fresh with this Avantco HLDBL24SS 24" dual arm stainless steel heat lamp. This heat lamp can warm baked goods, fried foods, carving station meats, and other delicious foods. Simply contort its flexible arms into position, lowering them toward or raising them away from food as needed.

The lamp's attractive finish and drilled stainless steel shade will complement any decor, seamlessly blending into your front-of-house cooking area, buffet, or other space. To operate the lamp, flip its on / off toggle switch, which is located away from the heat zone for safety. It comes standard with (2) 250W red bulbs, and for your convenience, it can be mounted to a table or countertop with the Avantco PCLMPSS stainless steel clamp for heat lamps (sold separately). This lamp requires a 120V electrical connection.

⚠ WARNING: This product can expose you to chemicals including lead, which are known to the State of California to cause cancer, birth defects, or other reproductive harm. For more information, go to www.p65warnings.ca.gov.