

Avantco HL39GDC 39" Gold Single Arm Stainless Steel Heat Lamp with Avantco PCLMPSS Stainless Steel Clamp - 120V, 250W

Item #177HL39GDC



Technical Data

Height	39 Inches
Diameter	6 1/2 Inches
Power Cord Length	75 Inches
Amps	2.08 Amps
Hertz	60 Hertz
Phase	1 Phase
Voltage	120 Volts
Wattage	250 Watts
Bulb Color	Red
Color	Gold

Features

- Includes (1) 250W shatterproof bulb for long-lasting heat and an attractive display
- Made of durable stainless steel
- Flexible arm construction to move the warmer as needed
- Attractive finish and drilled stainless steel shade
- Stainless steel clamp and 4 screws included

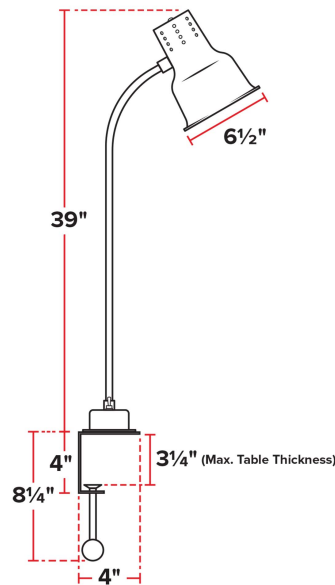
Certifications



Technical Data

Control Type	On/Off
Finish	Gold
Installation Type	Clamp / Screw On
Material	Stainless Steel
Number of Bulbs	1 Bulb
Plug Type	NEMA 5-15P
Power Type	Electric
Style	Flexible Arm
Type	Heat Lamps

Plan View



Notes & Details

Keep food hot and fresh with this Avantco HL39GDC 39" gold single arm stainless steel heat lamp with Avantco PCLMPSS stainless steel clamp. This heat lamp can warm baked goods, fried foods, carving station meats, and more. This lamp's flexible arm can be lowered toward or raised away from foods with ease.

The lamp's attractive finish and drilled stainless steel shade will complement any decor. Its on / off toggle switch is located away from the heat zone for safety. The lamp comes with a 250W red bulb.

This lamp can be mounted to a table or countertop with with the Avantco PCLMPSS stainless steel clamp for heat lamps. This stainless steel clamp can accommodate heat lamps with its four screws (included). The clamp can attach to tables or countertops that are 3 1/4" or less in thickness. Long screws with circular handles make the unit easy to adjust for different surface thicknesses. Help keep food hot and fresh with this heat lamp and clamp! This lamp requires a 120V electrical connection.

Kit Includes:

- Gold single arm stainless steel heat lamp
- Stainless steel clamp
- (4) Screws

⚠ WARNING: This product can expose you to chemicals including lead, which are known to the State of California to cause cancer, birth defects, or other reproductive harm. For more information, go to www.p65warnings.ca.gov.