



Item #: 177HL24BKC Project: \_\_\_\_\_

Qty: \_\_\_\_\_ Date: \_\_\_\_\_ Approval: \_\_\_\_\_

## Avantco HL24BKC 24" Black Single Arm Bulb Warmer Flexible Heat Lamp with Avantco PCLMPSS Stainless Steel Clamp - 120V, 250W

Item #177HL24BKC



### Technical Data

Height	24 Inches
Power Cord Length	75 Inches
Phase	1 Phase
Voltage	120 Volts
Wattage	250 Watts
Bulb Color	Red
Color	Black
Control Type	On/Off
Finish	Black
Installation Type	Clamp / Screw On

### Features

- Includes (1) 250W shatterproof bulb for long-lasting heat and an attractive display
- Made of durable stainless steel
- Flexible arm construction to move the warmer as needed
- Attractive finish and drilled stainless steel shade
- Stainless steel clamp and 4 screws included

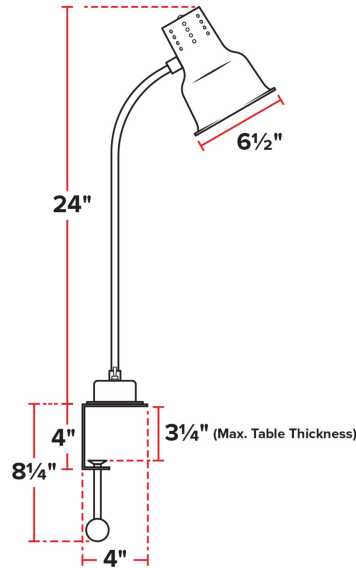
### Certifications



## Technical Data

Material	Stainless Steel
Number of Bulbs	1 Bulb
Plug Type	NEMA 5-15P
Power Type	Electric
Style	Flexible Arm
Type	Heat Lamps

## Plan View



## Notes & Details

Keep food hot and fresh with this Avantco HL24BKC 24" black single arm bulb warmer flexible heat lamp with Avantco PCLMPSS stainless steel clamp. This heat lamp can warm baked goods, fried foods, carving station meats, and more. This lamp's flexible arm can be lowered toward or raised away from foods with ease. This allows you to adjust the lamp to your space and food requirements, tailoring it to your specific needs and keeping your food hot.

The lamp's attractive finish and drilled stainless steel shade will complement any decor. Its on / off toggle switch is located away from the heat zone for safety. The sockets are ceramic insulated and furnished with a nickel-plated copper screw shell and contact point to prevent fusing and ensure you get a long life out of your heat lamp. The lamp comes with a 250W red bulb.

This lamp can be mounted to a table or countertop with the Avantco PCLMPSS stainless steel clamp for heat lamps. This stainless steel clamp can accommodate heat lamps with its four screws (included). The clamp can attach to tables or countertops that are 3 1/4" or less in thickness. Long screws with circular handles make the unit easy to adjust for different surface thicknesses. Help keep food hot and fresh with this heat lamp and clamp! This lamp requires a 120V electrical connection.

### Kit Includes:

- Black single arm stainless steel heat lamp
- Stainless steel clamp
- (4) Screws

**⚠ WARNING:** This product can expose you to chemicals including lead, which are known to the State of California to cause cancer, birth defects, or other reproductive harm. For more information, go to [www.p65warnings.ca.gov](http://www.p65warnings.ca.gov).