



Item #: 177EG36N Project: \_\_\_\_\_

Qty: \_\_\_\_\_ Date: \_\_\_\_\_ Approval: \_\_\_\_\_

## Avantco EG36N 36" Electric Countertop Griddle - 208/240V, 7488W-10080W

Item #177EG36N



### Technical Data

Width	36 3/16 Inches
Depth	19 7/16 Inches
Height	13 3/8 - 15 3/8 Inches
Cooking Surface Width	36 Inches
Cooking Surface Depth	15 1/2 Inches
Hertz	60 Hertz
Phase	3 Phase
Voltage	208/240 Volts
Wattage	7,488 - 10,080 Kilowatts
Control Type	Thermostatic

### Features

- 15 1/2" x 36" cooking area is great for breakfast food, vegetables, or meat
- 1" thick steel cooking surface creates even and consistent heat with quick recovery
- Three independent zones with adjustable temperature ranges of 150-570 degrees Fahrenheit
- Large 3" steel splashguards on sides and back, large grease tray for easy cleanup
- 208/240V, 3 Phase; 7488W - 10080W

### Certifications



ETL Sanitation



Hardwired



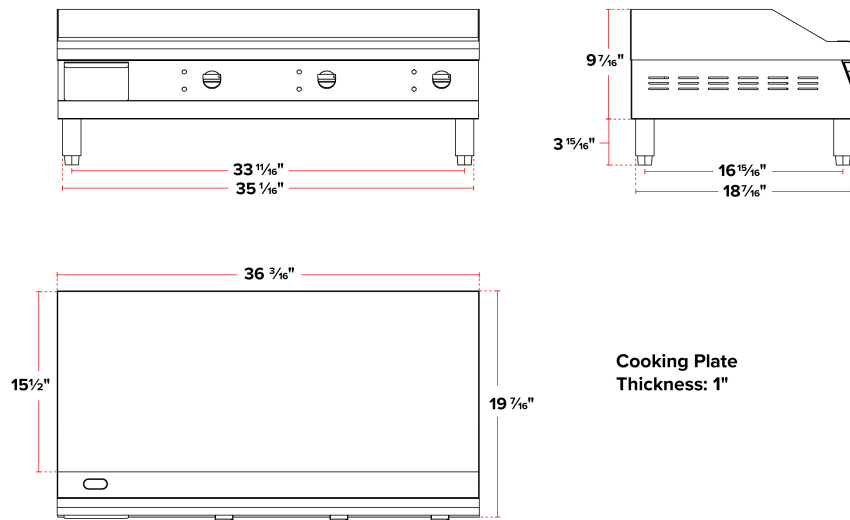
ETL, US & Canada

Avantco Equipment

## Technical Data

Cooking Surface Material	Polished Steel
Grease Tray Size	1 Liters
Installation Type	Countertop
Number of Burners	3 Burners
Number of Controls	3 Controls
Plate Thickness	1 Inch
Plug Type	Hardwire
Power Type	Electric
Temperature Range	120 - 570 Degrees F
Temperature Settings	Adjustable
Type	Griddles
Usage	Standard Duty

## Plan View



## Notes & Details

Expertly cook pancakes, burgers, eggs, grilled cheese, and all of your customers' favorites with this Avantco EG36N 36" electric countertop griddle! The 1" thick steel cooking surface is designed to heat evenly and features three separate temperature knobs, which are each adjustable from 120-570 degrees Fahrenheit. That means you can cook up to three different products at the same time! Thanks to the cooking plate's integrated thermostats, you'll be able to cook a wide variety of products quickly and accurately, with minimal recovery time. And, with overheat protection, power on / heating indicator lights, and 3" steel splashguards on the sides and back, this unit is as safe to use as it is powerful and effective.

Thanks to its 15 1/2" x 36" griddle plate, this unit is built for long lasting performance. The heavy-duty stainless steel housing and 3 15/16" to 5 15/16" adjustable stainless steel feet provide durability, while the easy to remove grease tray allows for quick, hassle-free cleaning. This Avantco electric griddle requires a 208V/240V, 3 phase electrical connection for operation.

**⚠ WARNING:** This product can expose you to chemicals including lead, which are known to the State of California to cause cancer, birth defects, or other reproductive harm. For more information, go to [www.p65warnings.ca.gov](http://www.p65warnings.ca.gov).