



Item #: 177EG24N Project: _____

Qty: _____ Date: _____ Approval: _____

Avantco EG24N 24" Electric Countertop Griddle - 208/240V, 2675W-3560W

Item #177EG24N



Technical Data

Width	24 1/8 Inches
Depth	19 7/16 Inches
Height	13 3/8 - 15 3/8 Inches
Cooking Surface Width	24 Inches
Cooking Surface Depth	15 1/2 Inches
Hertz	60 Hertz
Phase	1 Phase
Voltage	208/240 Volts
Wattage	2,675 - 3,560 Kilowatts
Control Type	Thermostatic

Features

- Durable and sanitary full stainless steel construction
- 1/2" thick steel cooking surface creates even and consistent heat perfect for a variety of foods
- Cooking surface has two independent zones each with adjustable ranges of 150-570 degrees Fahrenheit
- Large 3" steel splashguards on sides and back, large grease tray for easy cleanup
- 208/240V, 1 Phase; 2675W - 3560W

Certifications



6-20P



ETL Sanitation



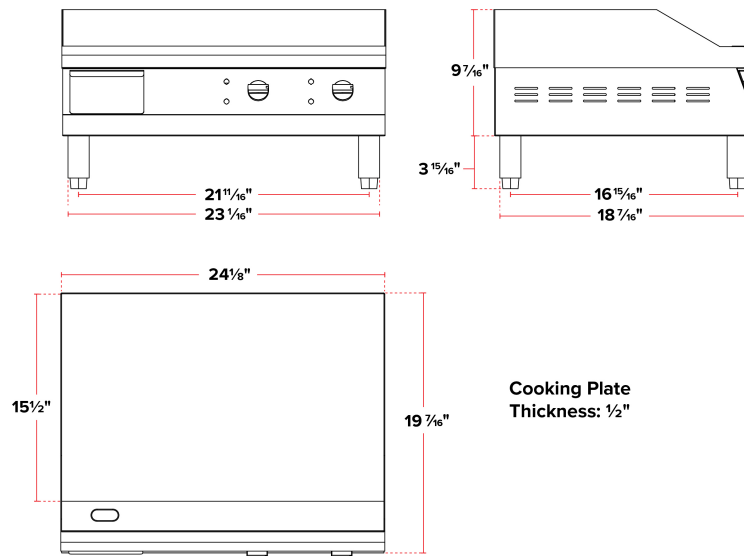
ETL, US & Canada

Avantco Equipment

Technical Data

Cooking Surface Material	Polished Steel
Grease Tray Size	1 Liters
Installation Type	Countertop
Number of Burners	2 Burners
Number of Controls	2 Controls
Plate Thickness	1/2 Inch
Plug Type	NEMA 6-20P
Power Type	Electric
Temperature Range	150 - 570 Degrees F
Temperature Settings	Adjustable
Type	Griddles
Usage	Standard Duty

Plan View



Notes & Details

Expertly cook pancakes, burgers, eggs, grilled cheese, and all of your customers' favorites with this Avantco EG24N 24" electric countertop griddle. Each half of the 1/2" thick steel cooking surface is designed to heat evenly throughout and is controlled by a separate thermostat knob, which is adjustable from 150-570 degrees Fahrenheit. With overheat protection, power on / heating indicator lights, and 3" steel splashguards on the sides and back, this unit is as safe to use as it is powerful and effective.

Thanks to its 15 1/2" x 24" griddle plate, this unit is built for high-volume commercial use. The heavy duty stainless steel housing and 3 15/16" to 5 15/16" adjustable stainless steel feet provide durability, while the easy to remove grease tray allows for quick, hassle-free cleaning.

This Avantco electric griddle requires a 208V / 240V electrical connection for operation.

This model replaces the Avantco EG24 electric countertop griddle.

⚠ WARNING: This product can expose you to chemicals including lead, which are known to the State of California to cause cancer, birth defects, or other reproductive harm. For more information, go to www.p65warnings.ca.gov.