



Item #: 177EG16N Project: _____

Qty: _____ Date: _____ Approval: _____

Avantco EG16N 16" Electric Countertop Griddle - 120V, 1750W

Item #177EG16N



Technical Data

Width	15 3/4 Inches
Depth	19 7/16 Inches
Height	13 3/8 - 15 3/8 Inches
Cooking Surface Width	15 5/8 Inches
Cooking Surface Depth	16 Inches
Amps	14.6 Amps
Hertz	60 Hertz
Phase	1 Phase
Voltage	120 Volts
Wattage	1.75 Kilowatts

Features

- Durable and sanitary full stainless steel construction
- 1/2" thick steel cooking surface creates even and consistent heat perfect for a variety of foods
- Cooking Surface has single zone adjustable temperature range of 150-570 degrees Fahrenheit
- Large 3" steel splashguards on sides and back, large grease tray for easy cleanup
- 120V, 1 Phase; 1750W

Certifications



5-15P



ETL Sanitation



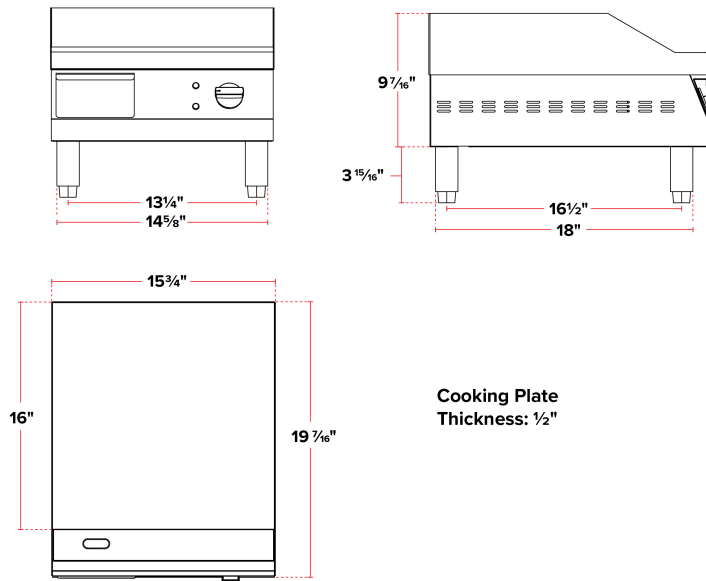
ETL, US & Canada

Avantco Equipment

Technical Data

Control Type	Thermostatic
Cooking Surface Material	Polished Steel
Grease Tray Size	1 Liters
Installation Type	Countertop
Number of Burners	1 Burner
Number of Controls	1 Controls
Plate Thickness	1/2 Inch
Plug Type	NEMA 5-15P
Power Type	Electric
Temperature Range	150 - 570 Degrees F
Temperature Settings	Adjustable
Type	Griddles
Usage	Standard Duty

Plan View



Notes & Details

Expertly cook pancakes, burgers, eggs, grilled cheese, and all of your customers' favorites with this Avantco EG16N 16" electric countertop griddle. The 1/2" thick steel cooking surface heats evenly throughout for consistent cooking results no matter where you place food on the griddle plate. A single thermostat knob controls the temperature, which is adjustable from 150-570 degrees Fahrenheit. With overheat protection, power on / heating indicator lights, and 3" steel splashguards on the sides and back, the Avantco electric countertop griddle is as safe to use as it is powerful and effective.

Thanks to its 15 1/2" x 16" griddle plate, this unit is built for high-volume commercial use. The heavy duty stainless steel housing and 3 15/16" to 5 15/16" adjustable stainless steel feet provide durability, while the easy to remove grease tray allows for quick, hassle-free cleaning.

This Avantco electric griddle requires a 120V electrical connection for operation.

This model replaces the Avantco EG16 electric countertop griddle.

⚠ WARNING: This product can expose you to chemicals including lead, which are known to the State of California to cause cancer, birth defects, or other reproductive harm. For more information, go to www.p65warnings.ca.gov.