

Avantco CO-14 Quarter Size Countertop Convection Oven, 0.8 Cu. Ft. - 120V, 1440W

Item #177CO14



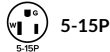
Technical Data

Width	18 3/4 Inches
Depth	18 Inches
Height	15 Inches
Power Cord Length	71 Inches
Interior Width	14 Inches
Interior Depth	11 1/2 Inches
Interior Height	8 1/2 Inches
Amps	12 Amps
Hertz	60 Hertz
Phase	1 Phase

Features

- 1/4 size interior holds up to (3) 1/4 size sheet pans on included wire shelves or using guides
- Fully adjustable heat settings from 150-500°F to cook a variety of dishes and foods
- Cool-touch dual pane glass door keeps the heat inside while checking on the cooking progress
- Heavy-duty stainless steel construction for easy cleaning
- Ideal for light-duty use; 120V, 1440W, 0.8 Cu Ft

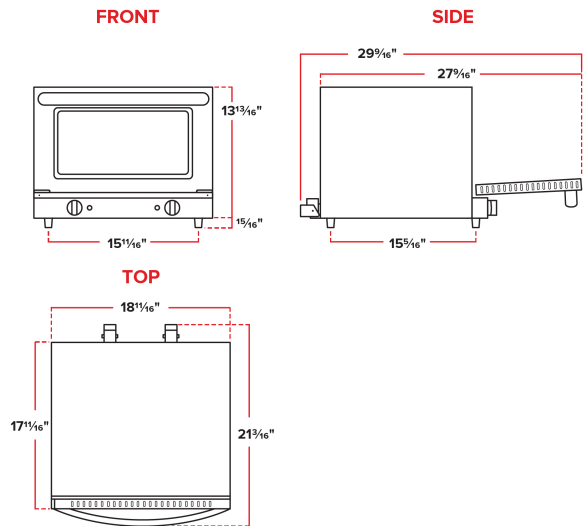
Certifications



Technical Data

Voltage	120 Volts
Wattage	1.44 Kilowatts 1440 Watts
Capacity	0.8 cu. ft.
Control Type	Dial
Door Type	Glass
Hinge Location	Bottom
Installation Type	Countertop
Number of Chambers	1 Chambers
Number of Controls	2 Controls
Number of Doors	1 Doors
Oven Interior Style	Standard Depth
Oven Shelf Spacing	1 15/16 Inches
Plug Type	NEMA 5-15P
Power Type	Electric
Rack Capacity	3
Size	1/4 Size
Temperature Range	150 - 500 Degrees F
Temperature Settings	Adjustable

Plan View



177CO14

Notes & Details

Perfectly sized to cook a 12" pizza, the Avantco CO-14 quarter size convection oven is a great way to make baked goods, snacks, warm sandwiches and more right on your countertop. This 0.8 cu. ft. oven boasts 1440 watts of heating power and forced-air heat circulation for even cooking, and can hold up to three, 1/4 size sheet pans at one time. Three chrome wire shelves are included so you can begin baking right away! Plus, cooking temperature can be adjusted up to 500 degrees Fahrenheit, and a built-in timer lets you know when food is cooked to perfection for maximum ease of use.

This oven's interior and exterior are fully constructed of heavy duty stainless steel, and the cool-touch dual pane glass door window keeps heat in while preventing operator burns on the exterior side. The powerful convection fan is located at the rear of the unit for efficient heat and air distribution. The Avantco CO-14 requires a 120V electrical connection for operation.



⚠ WARNING: This product can expose you to chemicals including lead, which are known to the State of California to cause cancer, birth defects, or other reproductive harm. For more information, go to www.p65warnings.ca.gov.

Avantco Equipment