

Avantco C15 Pourover Airpot Coffee Brewer - 120V

Item #177C15



Technical Data

Width	7 3/4 Inches
Depth	14 1/4 Inches
Height	22 Inches
Amps	12 Amps
Hertz	50/60 Hertz
Phase	1 Phase
Voltage	120 Volts
Wattage	1450 Watts
Brewer Type	Airpot
Coffee Filter Size	9 3/4" x 4 1/4"-4 1/2"

Features

- Ideal for church functions, break rooms, waiting areas, and other light duty applications
- Compact design is ideal for applications with limited counter space
- All external stainless steel construction
- Brews 56 cups (3.5 gallons) per hour
- Airpot sold separately

Certifications



5-15P



UL Listed, US & Canada



ETL Sanitation

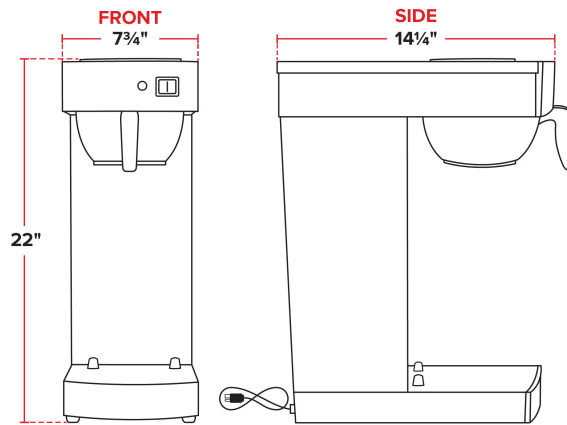


ETL, US & Canada

Technical Data

Output	3.5 Gallons Per Hour
Plug Type	NEMA 5-15P
Power Type	Electric
Style	Single
Tank Capacity	0.5 Gallons
Type	Coffee Brewers
Water Source	Pourover

Plan View



Notes & Details

The Avantco C15 pourover airpot coffee brewer is the affordable and durable solution to your coffee needs! Designed for easy use with simple push button operation, this coffee brewer features a 2.2 liter water tank reservoir. Coffee is brewed at optimum temperatures between 190 and 200 degrees Fahrenheit, and its external stainless steel construction gives it a sleek appearance and makes it easy to clean. The brewer utilizes a fixed, non-adjustable temperature. And to ensure you can keep up with busy hours, this compact brewer can produce up to 56 8 oz. cups of coffee per hour. The Avantco C15 pourover airpot coffee brewer requires a 120V electrical connection.

⚠ WARNING: This product can expose you to chemicals including lead, which are known to the State of California to cause cancer, birth defects, or other reproductive harm. For more information, go to www.p65warnings.ca.gov.