



www.AvantcoRefrigeration.com

UDD Series Beer Dispenser

BASE MODEL #178UDD378 • OPTIONAL MODELS #178UDD3786, #178UDD3788

UDD SERIES - BEER DISPENSER

For convenient dispensing of cold ales and lagers.

CABINET CONSTRUCTION

Heavy duty construction includes corrosion-resistant 304 stainless steel interior and black coated steel exterior.

Durable 1½” thick stainless steel top surface is easy to clean after dispensing.

Foamed-in-place polyurethane insulation enhances the structural integrity of the cabinet and helps increase energy efficiency.

Two solid, locking doors feature stay-open feature beyond 90° for easy keg loading, but will self-close under 90° to save energy.

DISPENSING SYSTEM

(2) double tap towers with 10 ¼” faucet height makes filling tall glasses easy. Includes (2) “D” couplers per tap.

SHELVING

Four shelves included for optional use as a back bar cooler. Each accommodates up to 90 lb. to best suit your needs.

REFRIGERATION SYSTEM

Environmentally-safe R290 refrigerant. Bottom-mounted condensing unit positioned for easy maintenance.

MODEL FEATURES

Preprogrammed digital controls with auto defrost feature.

Built-in drip tray with front-facing drain catches drips and sloshes to reduce the amount of clean-up necessary. Drain includes ½” diameter barb for easy installation.

PROJECT: _____

MODEL: _____

ITEM #: _____ QUANTITY: _____

APPROVAL: _____ DATE: _____

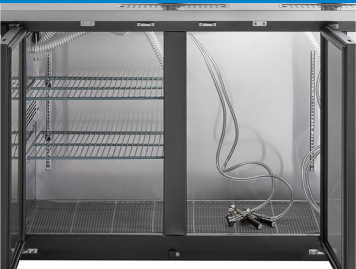
SPECIAL FEATURES

- Holds (4) ½ kegs
- (2) double tap towers with 10¼” faucet height
- ½ hp compressor uses environmentally-friendly R290 refrigerant
- Self-closing, locking doors
- LED lights illuminate interior
- Includes (2) “D” couplers per tap
- Attractive black coated steel exterior for durability
- Foamed-in-place polyurethane insulation
- Easy-to-use digital temperature control
- 115V



WARRANTY

RESIDENTIAL: Avantco assumes no liability for parts or labor coverage for component failure, factory defect or any other damages for units installed in non-commercial foodservice or residential applications.



UDD Series Beer Dispenser

BASE MODEL #178UDD378

OPTIONAL MODELS #178UDD3786, #178UDD3788



www.AvantcoRefrigeration.com

TECHNICAL DATA

Dimensions

| | |
|----------------------|---|
| Exterior Dimensions | 78 ¹⁵ / ₁₆ "W x 27 ³ / ₄ "D x 35 ⁵ / ₈ "H |
| Interior Dimensions | 66 ³ / ₈ "W x 21 ⁷ / ₈ "D x 28 ¹⁵ / ₁₆ "H |
| Tap Tower Dimensions | 16"H 3"Diameter |
| Faucet Height | 10 ¹ / ₄ " |
| Product Capacity | (4) ½ Keg |
| Net Volume | 25.8 cu. ft. |
| Net Weight | 320 lb. |
| Gross Weight | 375 lb. |
| Packaging Dimensions | 80 ¹ / ₁₆ "W x 30 ⁵ / ₁₆ "D x 41 ³ / ₄ "H |

Cooling

| | |
|--------------------------|-------------|
| Temperature Range | 33°F - 40°F |
| Refrigerant | R290 |
| Max. Ambient Temperature | 90°F |
| Defrosting | Automatic |
| Temperature Controller | Digital |
| Horsepower | 1/5 |

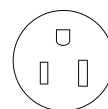
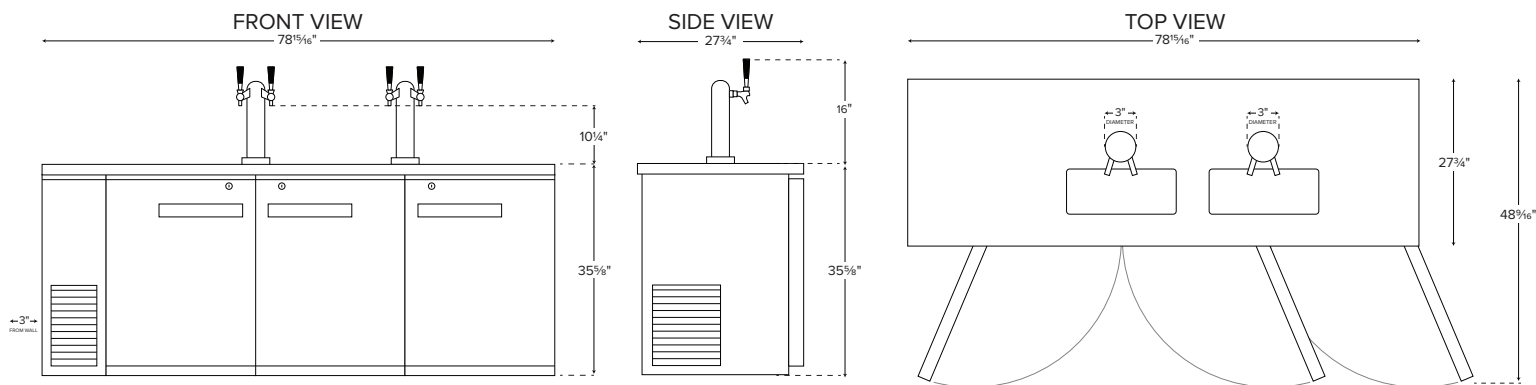
Construction

| | |
|---------------------|-----------------------------|
| Exterior Material | Painted Steel |
| Interior Material | Type 201 Stainless Steel |
| Insulation Material | Hinged/Foaming polyurethane |
| Taps | 4 |
| Shelves | 4 |
| Shelf Material | Epoxy-coated steel |

Electrical

| | |
|------------------------|------------|
| Voltage | 115 |
| Amps | 2.88 |
| Hz | 60 |
| Phase | 1 |
| Plug Type | NEMA 5-15P |
| Electrical Cord Length | 98" |

PLAN VIEW



NEMA 5-15P