



Project \_\_\_\_\_

Item 190EFTMV \_\_\_\_\_ Quantity \_\_\_\_\_

Approval \_\_\_\_\_ Date \_\_\_\_\_

# Assure Parts Thermostatic Mixing Valve with 1/2" NPS Male Thread

Item #190EFTMV

## Special Features

- Features a 1/2" NPS male thread and a flow rate of 1 to 3 GPM
- Requires a 30 PSI minimum supply pressure and a 150 PSI maximum supply pressure
- Offers an outlet temperature range of 80 to 120 degrees Fahrenheit
- Hot water inlet temperature range of 120 to 180 degrees Fahrenheit
- Cold water inlet temperature range of 38 to 80 degrees Fahrenheit

## Technical Data

<b>Length</b>	3 9/16 Inches
<b>Width</b>	2 11/16 Inches
<b>Features</b>	NSF Certified
<b>Flow Rate</b>	1 - 3 GPM
<b>Material</b>	ABS Plastic
<b>Pressure Rating</b>	150 PSI
<b>Temperature Rating</b>	38 - 180 Degrees F
<b>Type</b>	Valve Parts Valves
<b>Water Inlet Size</b>	1/2 Inches



## Certifications

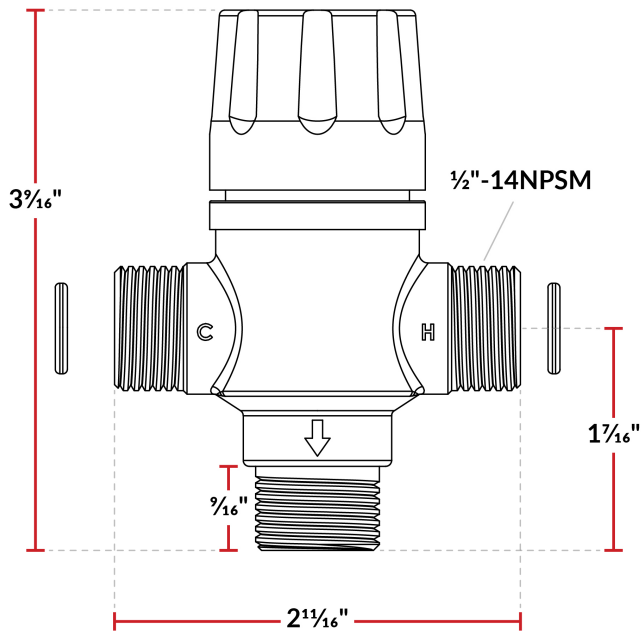


1/2" Water Connection



NSF Certified

## Technical Drawing



**⚠ WARNING:** This product can expose you to chemicals including lead, which are known to the State of California to cause cancer and birth defects or other reproductive harm. For more information, go to [www.p65warnings.ca.gov](http://www.p65warnings.ca.gov).