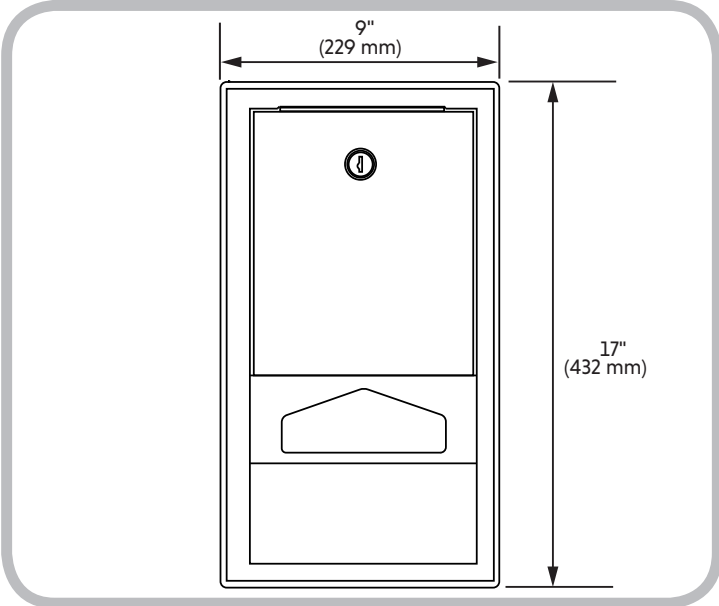


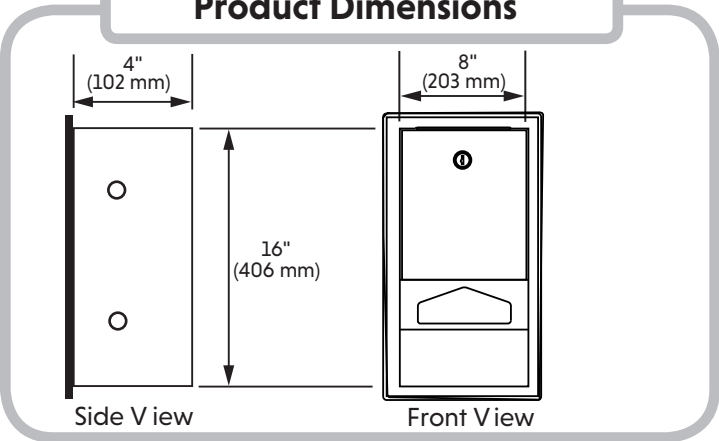
Submittal Sheet

Model 95XR0006 Stainless Steel Liner Dispenser



- 16 gauge, 304 brushed stainless steel liner dispenser.
- Mounts separately from changing station.
- Recessed mounting complies with A.D.A. 307.2, Maximum Protruding Objects when properly installed.
- Keyed lock prevents tampering or theft.
- Holds 100 liners.
- Holds item 05XX0107 or 05XX0207.
- Standard pack: 1 unit.
- Limited Warranty: This product is warranted against manufacturing defects for a period of 5 years.

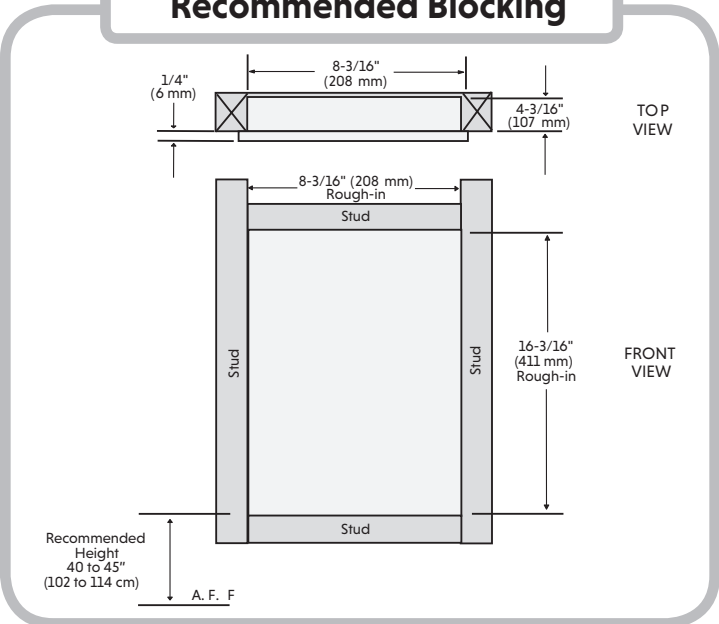
Product Dimensions



Installation Information

- Rough-in dimensions 8-3/16 inches (208 mm) wide x 16-3/16 inches (411 mm) high x 4-3/16 inches (106 mm) deep. Shim as required for tight fit on all 4 sides.
- Flange mounts flush against the wall.

Recommended Blocking



Short Specifications

- Stainless Steel Diaper Vendor:
1. Acceptable product: The Sova Company Model 95XR0006.
 2. Characteristics:
 - a. 16 gauge, 304 brushed stainless steel.
 - b. Provide liners 05XX0107 or 05XX0207.
 3. **A.D.A. Compliance:**
 - 307.2 Maximum Protruding Objects
 - 308.2 Forward Reach
 - 308.3 Side Reach
 Compliant when properly installed.

