



# BB165

## NuBlend™ 1-Horsepower Blender



NuBlend™ 1-Horsepower Blender



### MAIN FEATURES

- 1 HP, 2-speed motor
- Recommended for 1-25 cycles per day
- HI/LO/OFF and PULSE toggle switches
- 44-oz. unbreakable copolyester container
- Great for:
  - Blending bar drinks, smoothies and soups
  - Crushing ice for frozen drinks
  - Chopping salsas and dips
- Removable 2-piece jar lid
- 6 ft. cord with 3 prong plug
- Limited Two-Year Warranty

### SALES FEATURES

Crush ice in seconds and power through light beverage prep with the lightweight yet durable NuBlend™ 1-Horsepower Blender from Waring. An essential for households, bars and restaurants and any establishment where quickly blended beverages are in demand, the unit features a 1 HP motor and simple Hi/Low/Off and Pulse toggle switches. Produce up to 25 cycles per day in the large, 44 oz. Copolyester container with removable 2-piece jar lid.

### ELECTRICAL

Voltage: 120V

Frequency: 50-60Hz

Cord Length: 6 feet

Watts: 600W



@waringproducts

©2025 Waring

314 Ella T. Grasso Avenue, Torrington, CT 06790

Tel. 800-492-7464 • Fax 860-496-9008

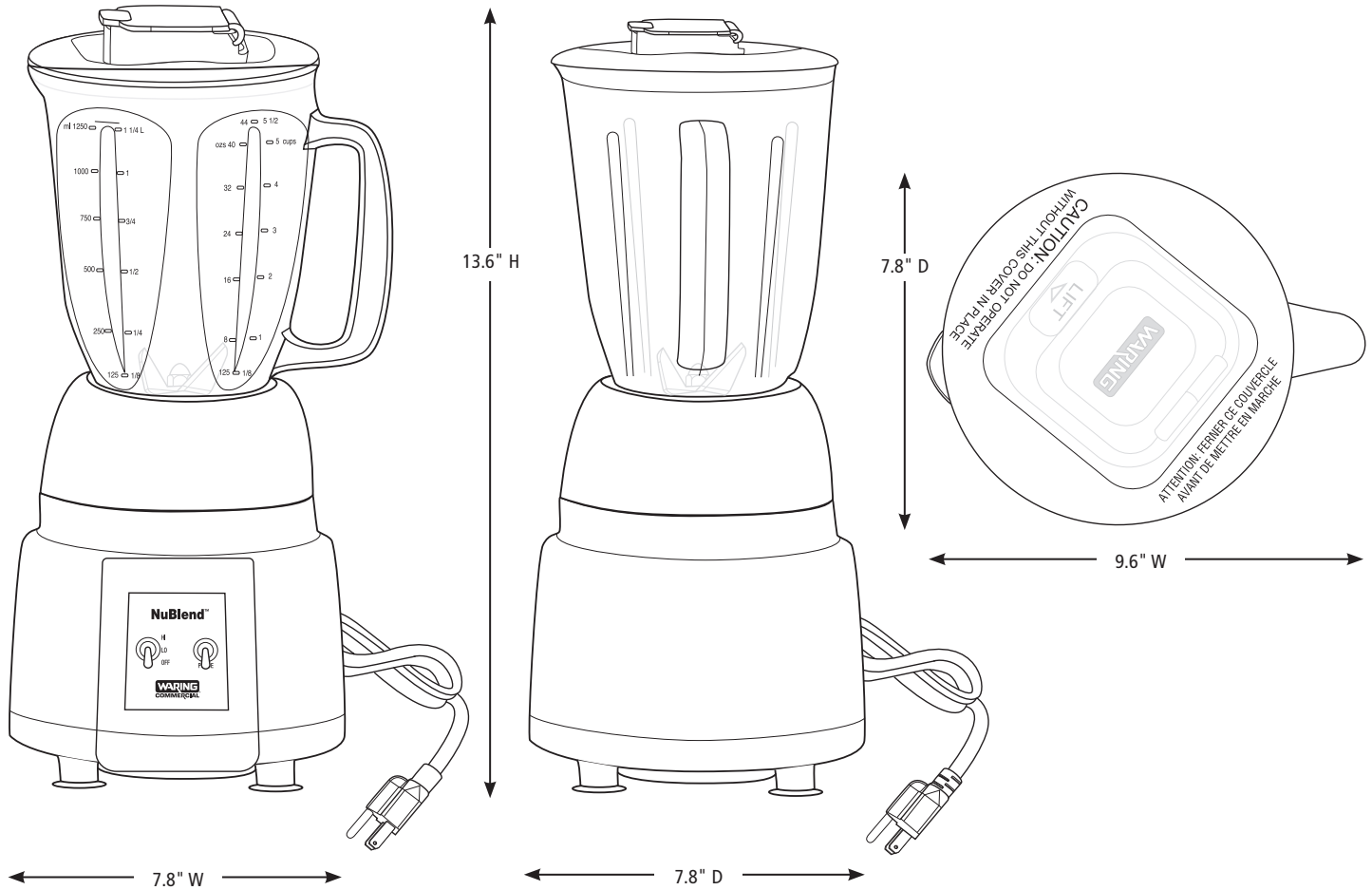
waring.com

BB165



# NuBlend™ 1-Horsepower Blender BB165

## DIMENSIONS



Out of Box Weight: 7 lb.

ORDERING INFORMATION	#STD. PKG.	GIFTBOX WEIGHT	CUBIC FEET	BOX DIMENSIONS D X W X H	UPC	CASE PKG.	MC WEIGHT	MC DIMENSIONS D X W X H	MBC
BB165 – 1 HP Horsepower Blender	1	8	.62	8" x 9.75" x 13.75"	040072104879	2	16 lbs.	16.375" x 10.25" x 14.375"	10040072104876



@waringproducts

©2025 Waring  
314 Ella T. Grasso Avenue, Torrington, CT 06790  
Tel. 800-492-7464 • Fax 860-496-9008

waring.com

24WC94540 / REV 04/25