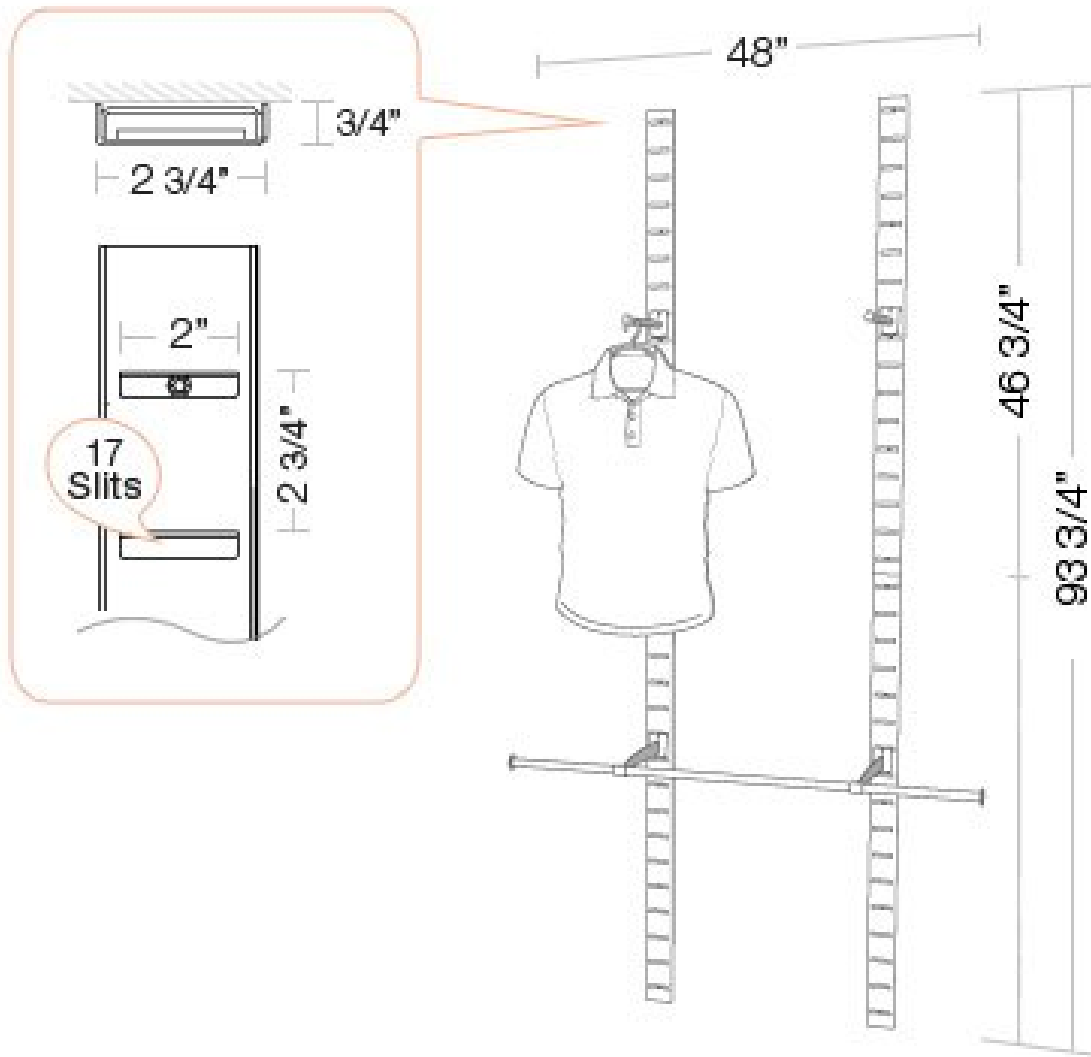
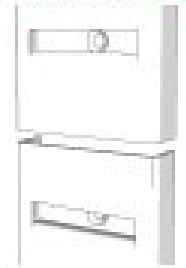


Specifications



The kit consists of two 46" SlatStrip. For 96" please contact us.



lbs 80 Max Per Slit
260 Max Per Strip

The max weight load is based on an evenly distributed weight load.

The weight load limit for all fixtures in the display needs to be taken in to account.

Good to Know

Fits Your Needs

Each module can be easily reconfigured



Add unique displayers & signage to enhance your setting & increase sales

