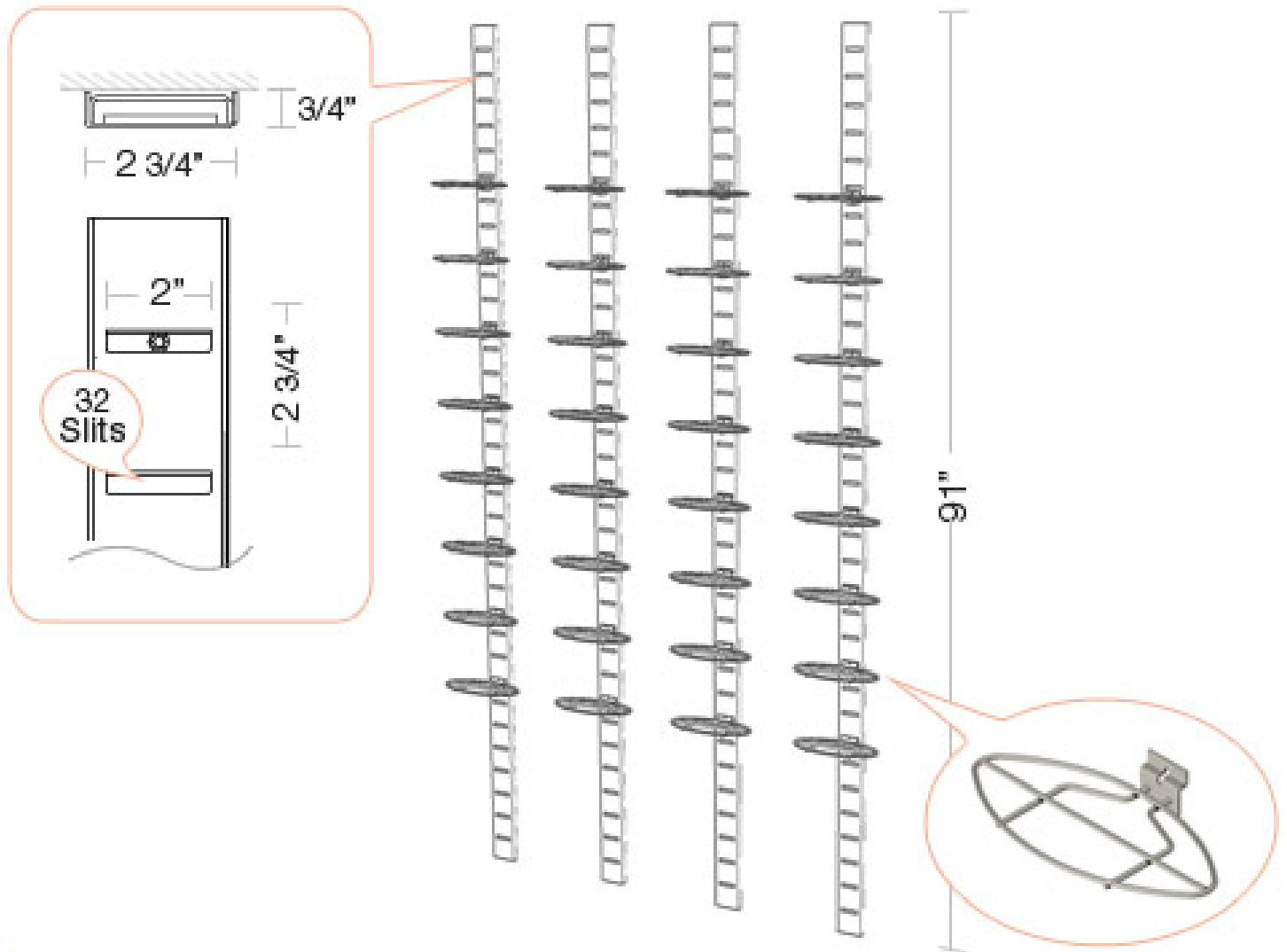


# Specifications

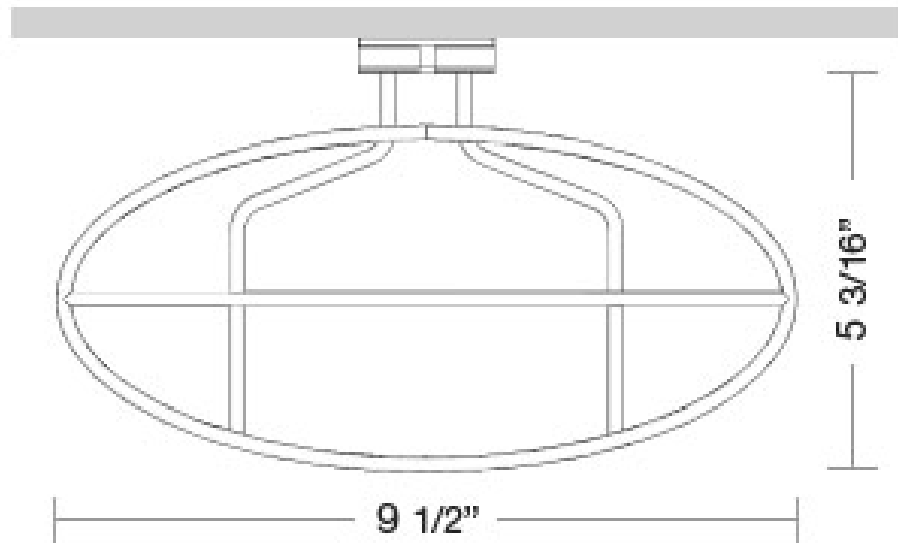


**lbs** 80 Max Per Slit  
520 Max Per Strip

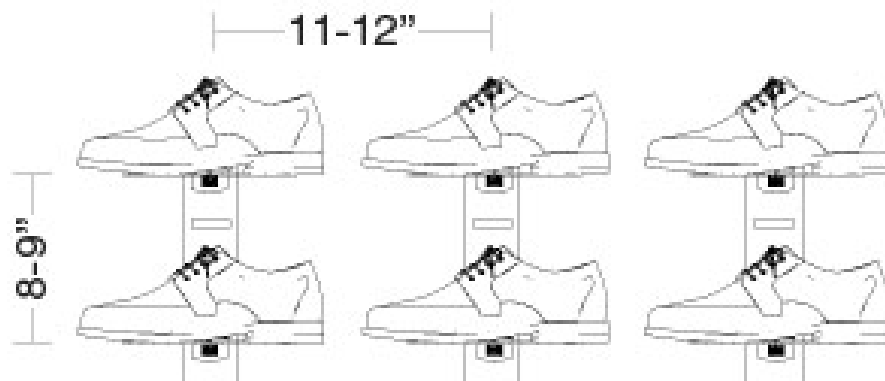
The max weight load is based on an evenly distributed weight load.

The weight load limit for all fixtures in the display needs to be taken in to account.

# Good to Know



## Space Planning



 lbs 3 Max