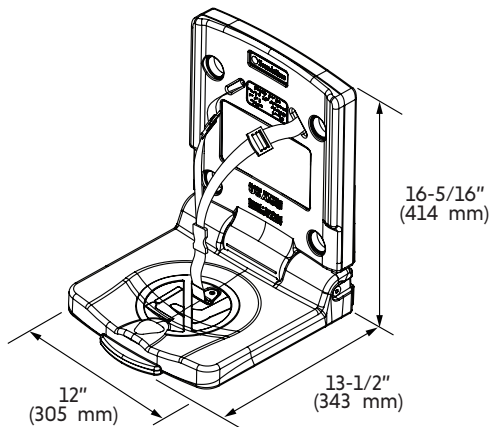


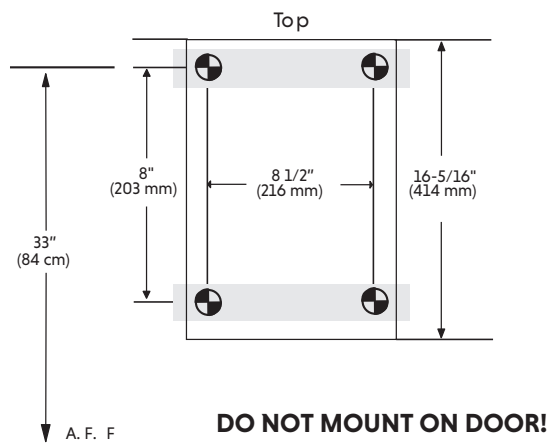


Submittal Sheet

Model: 90XS0007 Wall Mounted Toddler Safety Seat



Recommended Blocking



Short Specifications

- Polyethylene Child Wall Seat:
- Acceptable product: The Sova Company™; Model: 90XS0007 (Toddler Wall Seat)
 - Characteristics:
 - Type: Molded FDA approved high-density polyethylene (HDPE) body.
 - Rated to support a minimum static load of 22.8 pounds or 50 kg.
 - Child protection strap featuring three point safety harness.
 - A.D.A. Compliance:

	307.2	Maximum Protruding Objects
	308.2	Forward Reach
	308.3	Reach Side
	309.4	Operation

Compliant when properly installed.
 - ANSI compliant safety labels.
 - CPSIA compliant to applicable sections.

Installation Information

- Closed unit projects less than 3 inches (76 mm) from wall.
- Open seat projects 13-1/2 inches (343 mm) from the wall.
- Overall closed dimensions are 12 inches (305 mm) wide and 16-5/16 inches (414 mm) tall.
- Hardware allows for mounting to current or new construction applications.

- Keeps child safely off restroom floor.
- Three point safety harness secures child.
- Steel to steel support hinges.
- Rated to support a static load of 50 pounds (22.8 kg).
- Concave seat area features molded in pictogram that illustrates "do not use as a step".
- Easy to sanitize surface folds out of way when not in use.
- Easy to read ANSI compliant labels (ANSI Z535.3 and ANSI Z535.4), utilizing universal safety symbols.
- Compact, slim profile meets A.D.A. when properly installed. Only protrudes 3 inches or 76mm from wall.
- Includes easy to install, step-by-step instructions plus all mounting hardware.
- ASTM G21 Anti-Bacterial: No measurable bacterial growth.
- Standard pack: 1 unit.
- Limited Warranty: This product is warranted against manufacturing defects for a period of 5 years.