



PM 84 COLLAPSIBLE - CODE 135



- HOLDING CAPACITY: 84 plates
- TOTAL HEIGHT: 75"
- MEASUREMENTS OF UNDER-CARRIAGE: 25.5" X 25.5"
- NET WEIGHT: 47 lb.
- GROSS WEIGHT: 60 lb.
- BOX: 72" X 28" X 11"

This Model PLATE MATE has been specifically designed for rentals, catering companies and companies that are located in small quarters.

This model can be folded after use and hung on a wall or put in a corner for storage.

You can save space twice with this model, first when in use with plates and then when not in use. The unit is made of stainless steel tubes and requires no maintenance.

Cleaning can be done with a high-pressure washer or with a brush and soap suds. A protective cover is available as an optional item to protect against odors and to prevent the dish contents from drying out.



Just fold it and put it away!

www.plate-mate.com

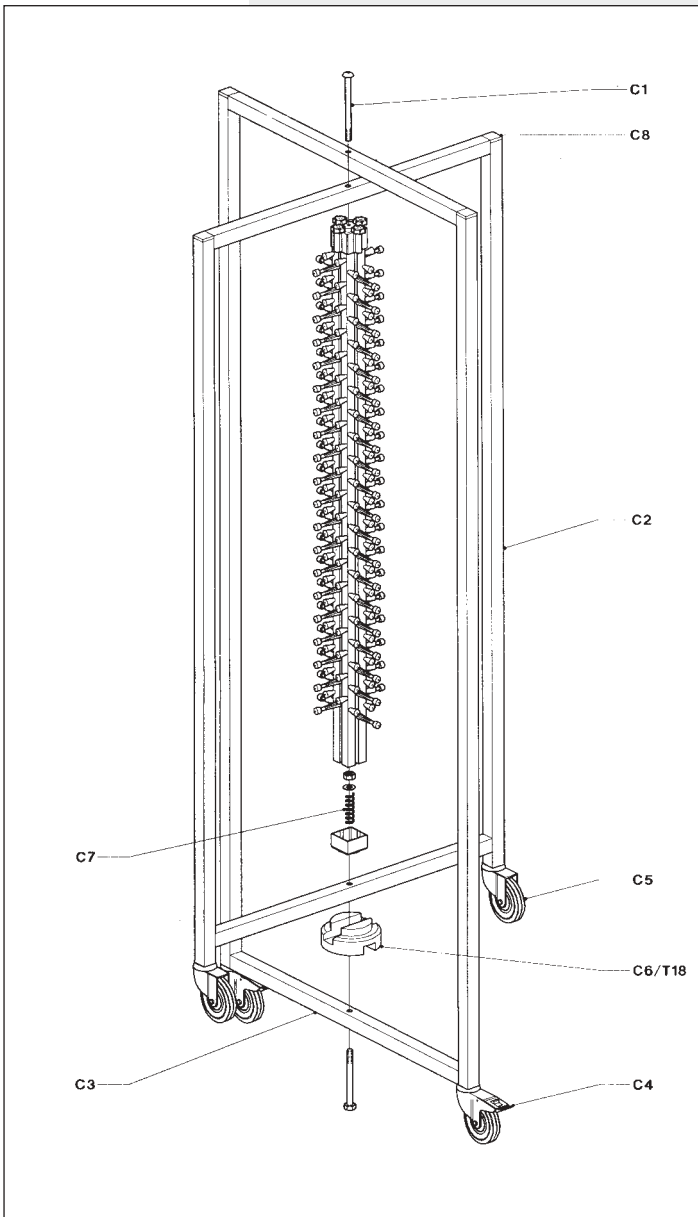
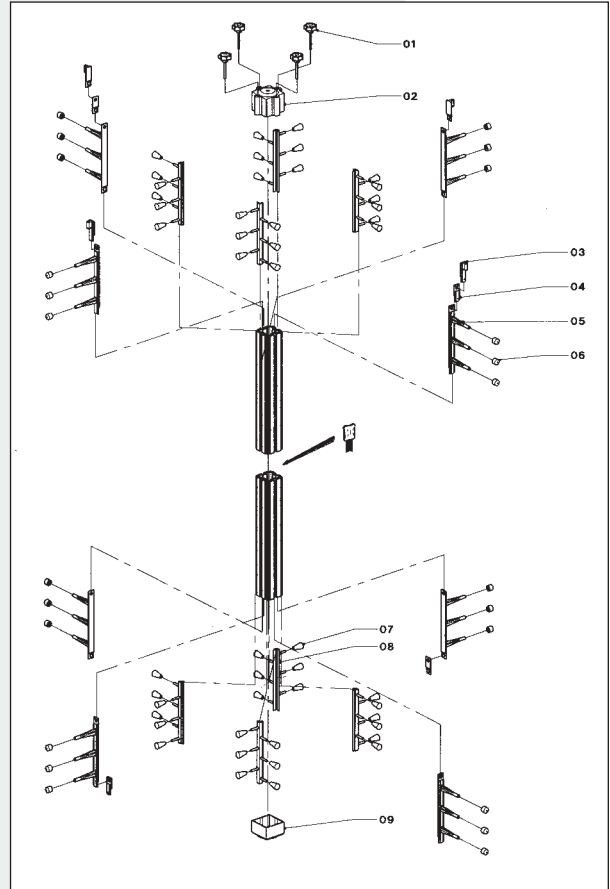


PM 84 COLLAPSIBLE - CODE 135

ASSEMBLY

1. Assembly of the frame/column is complete except for installation of the 4 casters.
2. Use a rubber hammer to install the casters.
3. Spreading the arms from an "X" shape into a "+" will prepare the unit for use.
4. To collapse the unit, lift the inner frame (which is shorter than the outer frame) with your foot out of the fastening block at the bottom of the unit, while pulling the two frames toward each other by placing your hands in the center of the cross bracing at the top. Initially, this process may be difficult until the frame is used several times.

Maintenance: Cleaning can be done with a high-pressure cleaner or with a brush and a cleaning agent.



PARTS LIST FOR PM 84 COLLAPSIBLE Code 135

Part Name	Part No.	Quantity
Aluminum main column	C84	1
Adjusting screw	01	4
Plastic hood	02	1
Hoisting block	03	4
Extension	04	4
Bracket set	05	28
Black stay cap	06	84
Red shuttle	07	168
Corner bracket (left)	08L	14
Corner bracket (right)	08R	14
Plastic foot - hole	09	1
Centering bolt	C1	1
Stainless steel inner frame - tube	C2	1
Stainless steel outer frame - tube	C3	1
Swivel wheel - 4" with brake (101.6 mm)	C4	2
Swivel wheel - 4" without brake (101.6 mm)	C5	2
Nylon fastening block	C6/T18	1
Compression-spring set in the foot	C7	1
Plug-in caps	C8	4
Lg. end column part/sm. end column/part	11/11A	4/4