

Product Specifications

Refrigerated Service Case



MODEL SHOWN: GMDS4R

NOTE: SHOWN W/ OPTIONAL CUTAWAY END PANEL

Lengths include 1-1/8" end panels

- GMDS4R 51"L x 42-3/4"D x 51-1/4"H
- GMDS5R 62-7/8"L x 42-3/4"D x 51-1/4"H
- GMDS6R 75-3/8"L x 42-3/4"D x 51-1/4"H
- GMDS8R 99-3/4"L x 42-3/4"D x 51-1/4"H
- GMDS10R 123-3/8"L x 42-3/4"D x 51-1/4"H
- GMDS12R 148-1/2"L x 42-3/4"D x 51-1/4"H

STANDARD FEATURES

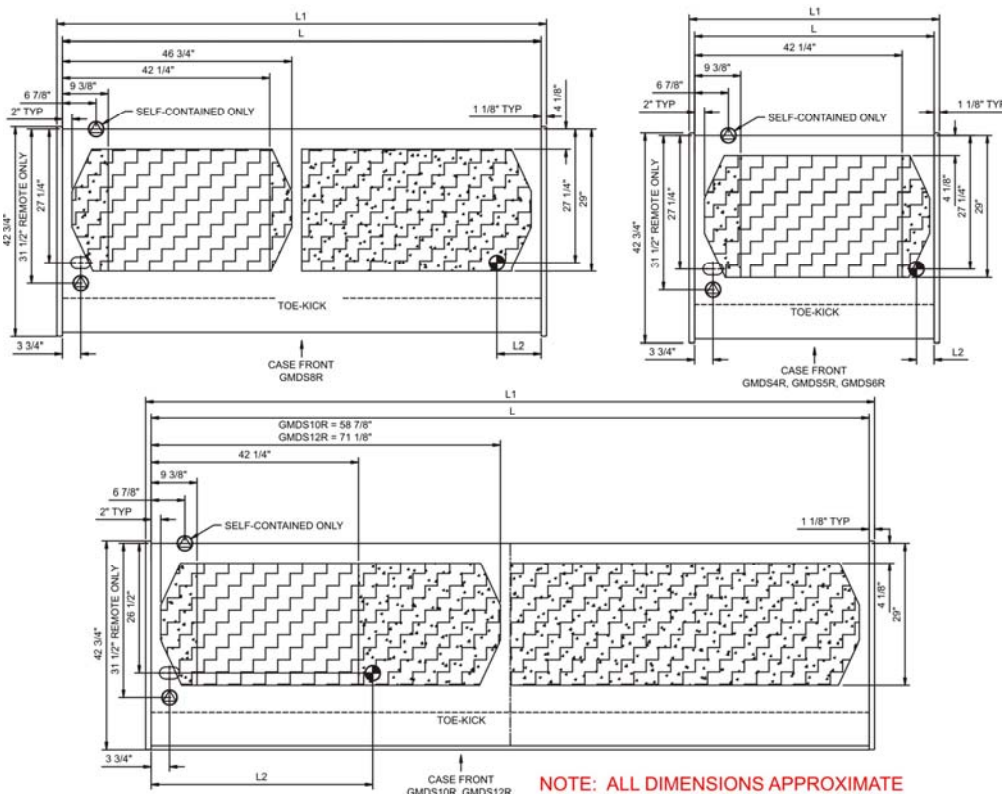
- Breeze™ w/EnergyWise s/c refrigeration
- Compressor air intake from rear and out front panel at toe kick. Front panel cannot be blocked.
- Condensate pan (self-contained refig. only)
- Flat upper front panel
- Integrated average product temperature of 40°F or less
- One year parts & labor; 5 year compressor warranty
- Solid shelf, lighted

Features	Standard	Options
EXTERIOR COLOR	<input type="checkbox"/> Laminated (non-premium) Confirm pattern/grain direction	<input type="checkbox"/> Laminated (premium) Confirm pattern/grain direction <input type="checkbox"/> Stainless steel
INTERIOR COLOR	<input type="checkbox"/> Black	<input type="checkbox"/> Stainless steel <input type="checkbox"/> White
LOWER FRONT PANEL COLOR	<input type="checkbox"/> Painted - Black	<input type="checkbox"/> Stainless steel
REAR EXTERIOR	<input type="checkbox"/> Stainless steel	<input type="checkbox"/> Painted - Black <input type="checkbox"/> Painted - White
TRIM COLOR	<input type="checkbox"/> Black	<input type="checkbox"/> Silver
BASE	<input type="checkbox"/> Casters w/ levelers	<input type="checkbox"/> 6"H legs
END PANEL LEFT	<input type="checkbox"/> Full end panel w/mirror interior (No mirror w/ss ext)	<input type="checkbox"/> Cutaway with glass <input type="checkbox"/> No end panel (for same case to case connect)
END PANEL RIGHT	<input type="checkbox"/> Full end panel w/mirror interior (No mirror w/ss ext)	<input type="checkbox"/> Cutaway with glass <input type="checkbox"/> No end panel (for same case to case connect)
FRONT GLASS	<input type="checkbox"/> Curved single pane, lift-up front glass w/o lock	<input type="checkbox"/> Flat angled single pane, lift-up front glass w/o lock
UPPER REAR	<input type="checkbox"/> Clear glass rear sliding doors w/o lock	<input type="checkbox"/> Reflective glass rear sliding doors w/o lock
LIGHTS	<input type="checkbox"/> T-8 top & shelf lights	<input type="checkbox"/> LED 4200K lights
ELECTRICAL CONNECT	<input type="checkbox"/> 6' straight blade power cord (self-cont.)	<input type="checkbox"/> 6' locking power cord (self-cont.) <input type="checkbox"/> Electrical leads (remote)
REFRIGERATION	<input type="checkbox"/> Breeze™ w/EnergyWise s/c refrigeration	<input type="checkbox"/> NOTE: Remote only available w/rail base w/shims. N/A w/ levelers, casters or legs. <input type="checkbox"/> Note: Remote doesn't incl Conds unit. Floor drain reqd. <input type="checkbox"/> Remote w/thermostat, solenoid & TXV
MISCELLANEOUS		<input type="checkbox"/> Front glass lock <input type="checkbox"/> Rear door lock <input type="checkbox"/> Scale stand w/receptacle (requires separate circuit) <input type="checkbox"/> Second year parts & labor warranty (excludes compressor)
ACCESSORIES		<input type="checkbox"/> 2"H Full depth display risers (n/a w/shelf) <input type="checkbox"/> Angled display steps (n/a w/shelf) <input type="checkbox"/> Clean Sweep® coil cleaner (n/a w/remote) <input type="checkbox"/> Price tag moulding (matches interior color) <input type="checkbox"/> Rear wrapping board, white Sanalite®

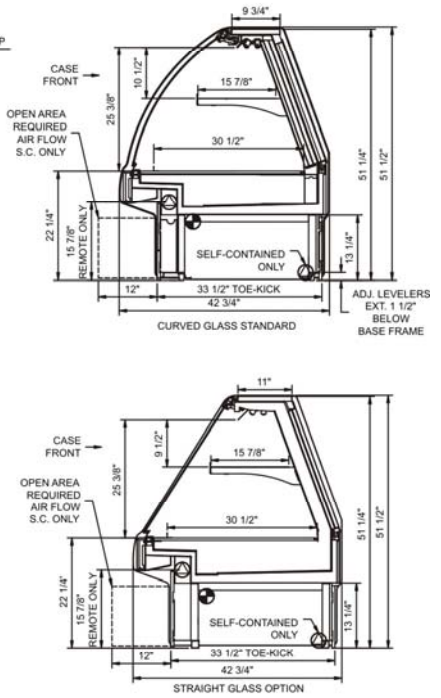
Product Specifications

Intended Environment: Type I - Designed to operate in ambient conditions of 75°F with 55% relative humidity unless noted otherwise in system information below.	
Zone	Intended Product To Be Displayed
All	Unpackaged refrigerated products
Integrated Prod Temp ° F	
40	

PLAN VIEW



SIDE VIEW



NOTE: ALL DIMENSIONS APPROXIMATE

- ELECTRICAL JUNCTION BOX (SUPPLIED WITH 6\"/>**
- REFRIGERATION LINE CONNECTION.**
- SELF-CONTAINED CASE SERVICE ACCESS AREA.**
- LOCATION OF DRAIN TUBE FOR REMOTE REF. ONLY (SUPPLIED WITH 3/4\"/>**
- REMOTE FLOOR SINK & UTILITIES ACCESS AREA.**
- DRY CASE SERVICE ACCESS AREA.**

Model Technical Specifications															
Model	L"	L1"	L2"	System Circuit Volts			Phs	Freq	Amps ***	Watts	Wires	NEMA Plug	SST	BTUH	Ship Wt
GMD54R	48.75	51.00	3.50	Remote(Type I)	Circuit #1	110-120	1	60	2.27	234	2+G	Leads Multiple	20.00	1500	950
				Self-Contained	Circuit #1	110-120	1	60	12.00	1,241	2+G	5-15P or L5-15P	N/A	N/A	
GMD55R	60.63	62.88	3.50	Remote(Type I)	Circuit #1	110-120	1	60	2.98	288	2+G	Leads Multiple	20.00	2000	1,150
				Self-Contained	Circuit #1	110-120	1	60	12.00	1,435	2+G	5-15P or L5-15P	N/A	N/A	
GMD56R	73.13	75.38	3.50	Remote(Type I)	Circuit #1	110-120	1	60	3.35	338	2+G	Leads Multiple	20.00	2350	1,150
				Self-Contained	Circuit #1	110-120	1	60	15.91	1,681	2+G	5-20P or L5-20P	N/A	N/A	
GMD58R	97.50	99.75	9.00	Remote(Type I)	Circuit #1	110-120	1	60	3.84	408	2+G	Leads Multiple	20.00	3150	1,450
				Self-Contained	Circuit #1	110-120	1	60	16.00	1,751	2+G	5-20P or L5-20P	N/A	N/A	
GMD510R	121.13	123.38	40.50	Remote(Type I)	Circuit #1	110-120	1	60	6.05	576	2+G	Leads Multiple	20.00	3375	1,850
				Self-Contained	Circuit #1	110-120	1	60	16.00	1,951	2+G	5-20P or L5-20P	N/A	N/A	
GMD512R	146.25	148.50	45.13	Remote(Type I)	Circuit #1	110-120	1	60	6.22	642	2+G	Leads Multiple	20.00	4250	2,150
				Self-Contained	Circuit #1	110-120	1	60	16.00	1,821	2+G	5-20P or L5-20P	N/A	N/A	

*** Does not include electric defrost on freezer models.

Regulatory Approvals:	
All Models	Accordance with AHRI Std 1200 ETL Listed to UL 471 ETL Listed to CAN/CSA 22.2 No. 120 ETL Sanitation to NSF 7

Important Notes:

- 1) ELECTRICAL NOTE: If GFCI is required, a GFCI breaker MUST be used in lieu of a GFCI receptacle
- 2) 45" minimum door entry clearance required (without shipping skid).
- 3) Units are supplied with levelers. They must be adjusted during installation to ensure the unit is level and plumb. Dimensions reflect levelers extended 1 1/4".

