

patioSchwank

supremeSchwank

Efficient Overhead Patio Heater



Now available in 2-stage option for a high and low heat setting!

Extend your patio season and increase your revenue!

Heating your outdoor patio is essential for any restaurant owner looking to maximize profits. By creating a comfortable outdoor environment restaurant owners can benefit from additional seats in the colder months of the year.

The **supremeSchwank** allows restaurant owners to create a comfortable outdoor atmosphere for their customers allowing them to stay longer and spend more.

Experience Counts: Schwank is the worldwide market leader and most trusted brand with over 2 million heating appliances sold.



Features

- Made with **316 Marine Grade Stainless Steel** to prevent rusting
- Sleek Black enclosure to enhance the aesthetics of your patio
- Overhead mounting leaves more space for seating and keeps aisles clear
- Built in gas lines eliminate portable propane tanks, making the patio more efficient on your gas bill and safer for customers

Optional Accessories [See back for more details.](#)

- Patio Remote Control
- PatioPanel
- Wall mounting brackets and arm kits

Contact us today for a FREE design and quote!

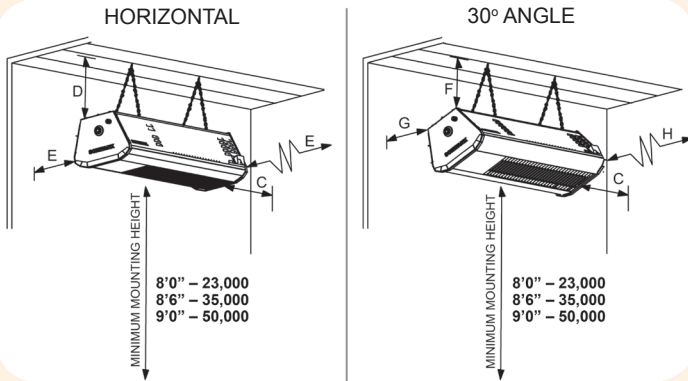
◀ Hooters, Clearwater, Florida

1-877-446-3727 | csr@schwankgroup.com | www.patioschwank.com

supremeSchwank - Technical Specifications, Controls, & Accessories

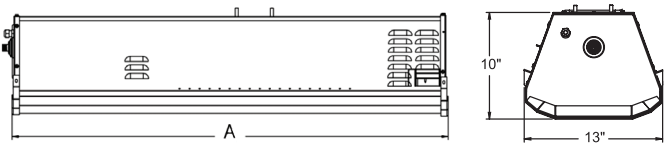
Information below is intended only as a reference and should not be used when installing equipment. Please ensure you locate the most recent instruction manual for accurate and up to date information.

Clearances to Combustibles



MODEL		ENDS	HORIZONTAL		ANGLE UP TO 30°		
		C	D	E	F	G	H
2312 N/L	OUTDOOR	3"	5.5"	7.0"	9.5"	1.0"	9.5"
2312 N/L	INDOOR	4"	8.0"	10.0"	12.5"	2.5"	14.0"
2313 N/L	OUTDOOR	5"	7.5"	9.0"	9.5"	1.5"	21.0"
2313 N/L	INDOOR	6"	10.5"	14.5"	14.5"	2.5"	26.0"
2352 N	OUTDOOR	21"	12"	28"	16"	10"	36"

Dimensions & Specifications



MODEL	VOLTAGE VAC	CURRENT AMPS	INPUT BTU/HR	TOTAL WEIGHT [lbs.]	HEATER LENGTH A
2312-N/L	24	40 VA*	23,000	32	30 1/2"
2313-N/L			35,000	44	43 1/2"
2352-N			50,000/ 35,000	49	48 1/4"

* For multiple heater installations: 40VA for the first heater and 20VA for each additional heater

Suggested Mounting for Comfort**

Mounting Parameters	MODEL 2312		MODEL 2313		MODEL 2352	
	Horizontal	30°	Horizontal	30°	Horizontal	30°
Min. mounting height to patio floor	8'0"	8'0"	8'6"	8'6"	9'0"	9'0"
Side distance to patio edge	3'6"	3'6"	4'0"	4'0"	4'4"	4'4"
Side distance between heaters	6'0"	6'0"	8'0"	8'0"	9'0"	9'0"
Distance to wall in front	6'0"	7'0"	7'0"	8'0"	8'0"	9'0"
Distance to heater in front	12'0"	14'0"	14'0"	16'0"	16'0"	18'0"

** Note: These mounting distances are suggested, and are subject to on site conditions. If in doubt, contact your Schwank distributor. These heaters are designed and certified for use outdoors in accordance with current ANSI standards. Schwank warrants that the heaters will operate as designed for wind conditions up to 10 MPH. Please note that adverse wind and weather conditions will reduce the effectiveness of the heaters.

Heater Controls

Remote Control [Single Stage Only]

Full Control Right at Your Fingertips



- Includes wires and instructions
- Receiver and handset are required
- Control up to 4 individual heaters or up to 4 zones with multiple heaters in each zone
- Wireless remote control keypad transmitter is optional
 - Weather resistant: outdoor or indoor installation
 - No more misplaced handsets

Hand set is required for master programming of receiver or keypad

Model Numbers

Remote Control Receiver Kit	JP-1236-RK
Hand Set Control	JP-1236-HS
Wireless Remote Control Keypad [optional]	JP-1236-KT

patioPanel [Single Stage Only]

Immediate Comfort With the Flick of a Switch



- Central/Remote control of single-stage heater systems
- patioPanel and switches have 24 volt capacity
- Control up to 12 heaters at a time
- For best comfort control, assign one heater to each patioPanel switch
- Easy to use and configure

Models Available:

- PCP-4 [Up to 4 heaters],
- PCP-8 [Up to 8 heaters],
- PCP-12 [Up to 12 heaters]

*24 Volt transformer not included

2-Stage Control Switches

Duel Heat Settings for Controlled Comfort



- Low-High Stage Control Illuminated Switches
- Brushed stainless steel plate cover
- Standard electrical box to suit is supplied
- 24Vac capacity [install system transformer prior to switches]
- Each switch controls from 1 to 4 heaters in a zone

Compatible only with 2-Stage heater models

Optional Accessories

Each supremeSchwank heater is supplied with a hanging bracket for overhead suspension

Wall mounting bracket [30° mounting angle]	JP-2300-MB
Wall mounting arm kit	JP-2300-MK
Post mounting kit	JP-2300-PK
Black Flexible Gas Connector	JL-0771-OD

Distributor info:

Additional resources:



I/O Manual



Find a Distributor



Patio Heater Video

Our customers include:



USA: 2 Schwank Way, Waynesboro, GA 30830 | Canada: 5285 Bradco Blvd. Mississauga, ON L4W 2A6
Tel: 1-877-446-3727 | Fax: 1-866-361-0523 | www.patioschwank.com | csr@schwankgroup.com



M11214 RL: v1.6 RD: Apr-2017