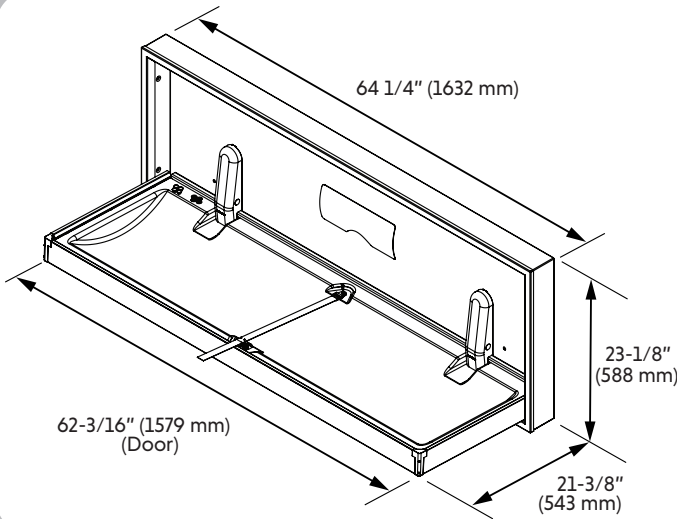


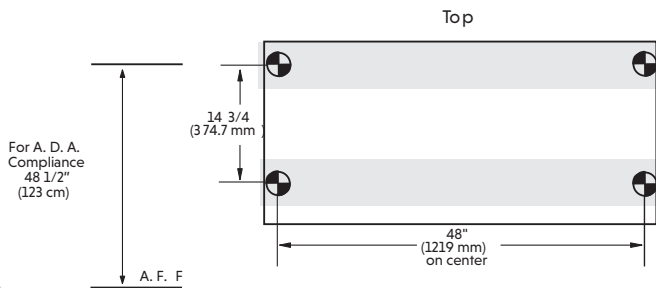


Submittal Sheet

Model: 70HS0006 (Surface Mount) Solace Extended Stainless Steel Diaper Changing Station



Recommended Blocking Surface Mount



Installation Information

- Unit projects 4 inches (100 mm).
- Rough-in opening 63.25 inches (1607 mm) wide x 21.75 inches (552 mm) high. Shim as required for tight fit on all 4 sides.
- Open unit project from wall 21.375 inches (543 mm).

- Full body 18 gauge, 304 brushed stainless steel.
- ABS replaceable tray liner.
- Rated to support a static load of 400 pounds (181 kg).
- People with disabilities who are 4" 10" tall or shorter, ideal for schools, nursing homes and hospitals.
- Smooth nylon belt with Thermoplastic Polyurethane coating. Easy to sanitize and adjustable with one hand.
- Full stainless steel frame and hinges provide maximum durability.
- Easy to read ANSI compliant labels (ANSI Z535.3 and ANSI Z535.4), utilizing universal safety symbols.
- Pneumatic gas shock mechanisms to ensure smooth, safe open and close motions.
- Includes universal changing station door sign.
- Surface mount requires additional flange. Specify model 01HSF306.
- Extended length of 62 inches (1575 mm).
- Limited Warranty: This product is warranted against manufacturing defects for a period of 5 years.

Short Specifications

Full 304 brushed stainless steel exterior with vacuum formed polystyrene changing surface.

1. A.D.A Compliant attached buckle.
2. Acceptable product: The Sova Company™; Model: Solace (70HS0006).
3. Characteristics:
 - a. Entire body 18 gauge, 304 brushed stainless steel, seamless welds.
 - b. Provide The Sova Company 95XR0006; stainless steel liner dispenser.
 - c. Provide The Sova Company 01HSF306; stainless steel liner dispenser.
4. Equipped with pneumatic cylinders.
5. Smooth nylon belt with Thermoplastic Polyurethane coating. Easy to sanitize and adjustable with one hand.
6. 400 lb. (181 kg) load rating exceeds ASTM F2285 requirements for weight bearing changing stations.
7. A.D.A. Compliance:

306.3	Knee Clearance
307.2	Maximum Protruding Objects
308.2	Forward Reach
308.3	Side Reach
309.4	Operation
902.3	Work Surface

 Compliant when properly installed.
8. ANSI compliant safety labels.
9. CPSIA compliant to applicable sections.

