

## Master Series High Shelves

Project \_\_\_\_\_  
 Item \_\_\_\_\_  
 Quantity \_\_\_\_\_  
 CSI Section 11400  
 Approved \_\_\_\_\_  
 Date \_\_\_\_\_

### Models

#### Double-Deck High Shelves

- M17DD                      • M24DD                      • M29DD                      • M34DD                      • M41DD
- M46DD                      • M48DD                      • M51DD                      • M58DD                      • M68DD

#### Single-Deck High Shelf

- M17SD                      • M24SD                      • M29SD                      • M34SD                      • M41SD
- M46SD                      • M48SD                      • M51SD                      • M58SD                      • M68SD



### Standard Features

- Stainless steel front and both sides are standard
- Provides recommended emit venting for safe & efficient operation of all Master Series ranges attachments, open broilers and fryers.
- Designed for easy and precise attachment to all Master Series ranges and equipment
- Available optional stainless steel main back
- Available in range of ten, (10), standard sizes up to a maximum of 68 inches, (1728mm)

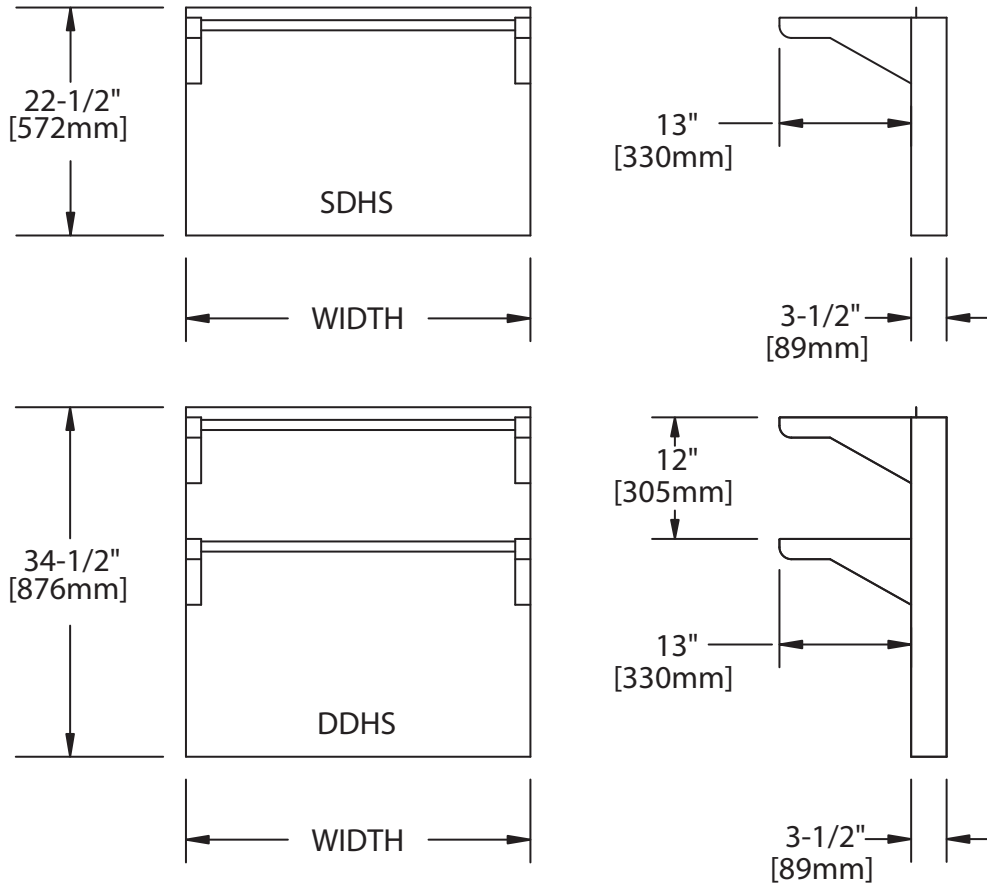
### Specifications

Double and Single-Deck High Shelves are precisiondesigned to install with all Master Series ranges, and attachments up to a maximum width of 68 inches, (1728mm), (other sizes can be special-ordered). Shelves constructed of 1" (25mm) square tubing with 1" (25mm) spaces between each tube, provide convenient storage for condiments and cooking utensils.

Master Series HighShelves

## Master Series High Shelves

DDHS = Double-Deck High Shelf  
 SDHS = Single-Deck High Shelf



Garland reserves the right to make changes to the design or specifications without prior notice.

Garland Commercial Ranges Ltd.  
 1177 Kamato Road,  
 Mississauga, Ontario  
 L4W 1X4 CANADA

General Inquires 1-905-624-0260  
 USA Sales, Parts and Service 1-800-424-2411  
 Canadian Sales 1-888-442-7526  
 Canada or USA Parts/Service 1-800-427-6668

[www.garland-group.com](http://www.garland-group.com)  
 6904C  
 03/26

