

Designer Series Electric Hot Plate

Project _____

Item _____

Quantity _____

CSI Section 11400

Approved _____

Date _____

Models

- ED-15HSE



Model ED-15HSE

Standard Features

- Stainless steel front and sides
- Two 9" (229 mm) diameter sealed elements
- Each element rated 2600 watts
- Each element controlled by a switch with six heat positions that automatically cycles down to a low heat when left unused
- Heat-on indicating lamps
- Large phenolic knobs
- 4" (102mm) stainless steel legs
- One-year limited parts & labor warranty (USA & Canada only)

Options & Accessories

- Stainless steel back and bottom
- Stands are available

Specifications

Electric designer series hot plate with two 9" (229mm) sealed solid elements, with an energy saving feature automatically cycling down when not in use.

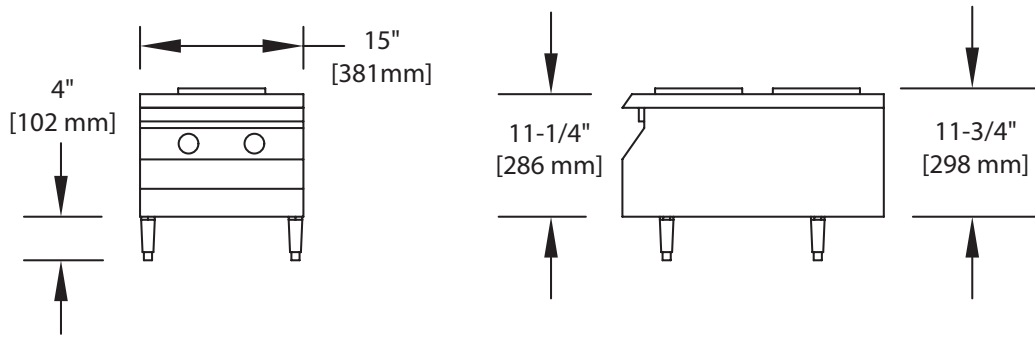
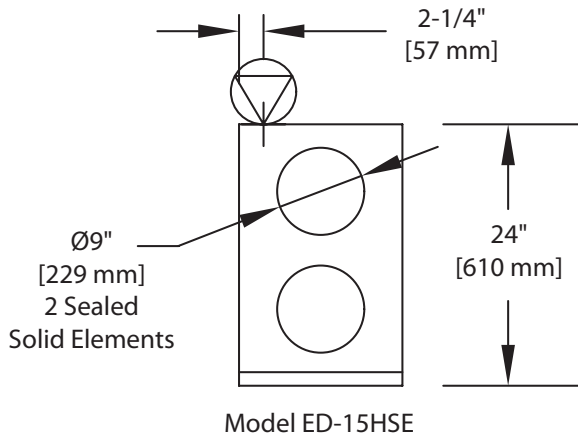
All models have a six position switch for each element.

Designed as stand alone or to be banked with other ED series equipment.

15" (381mm) wide, x 24" (610mm) deep x 11.25" (286mm) high, easy clean design stainless steel front and sides, recessed top and 4" (102mm) stainless steel legs.



Designer Series Electric Hot Plate



Garland products are not approved or authorized for home or residential use, but are intended for commercial applications only. Garland will not provide service, warranty, maintenance or support of any kind other than in commercial applications.

Models	Total kW Load				Nominal Amperes Per Line							
					North America				Export			
	North America		Export		Single Phase		Hi Line -3 Phase		Single Phase		Hi Line - 2 or -3 Phase	
208V	240V	220V/ 380V	240V/ 415V	208V	240V	208V	240V	220V/ 380V	240V/ 415V	220V/ 380V	240V/ 415V	
ED-15HSE	5.2	5.2	5.2	5.2	25	22	22	19	24	22	12	11

Model	Overall Dimensions			Cu. Ft.	Shipping Wt. Lb/kg
	Height	Width	Depth		
ED-15HSE	11-1/4" (286mm)	15" (381mm)	24" (610mm)	5	50/23

Installation Clearances	
Side	Rear
1.5" (38mm)	1.5" (38mm)

Garland reserves the right to make changes to the design or specifications without prior notice.