

# STAINLESS STEEL CASTER PLACEMENT SET

ITEM #: \_\_\_\_\_ QUANTITY: \_\_\_\_\_

PROJECT: \_\_\_\_\_

APPROVAL: \_\_\_\_\_

DATE: \_\_\_\_\_



## FEATURES

- 18 gauge 304 stainless steel construction
- Ensures cooking equipment is returned to the proper location under a kitchen hood
- Compatible with up to 6" equipment casters
- Low-profile design allows easy movement of casters
- Includes 2 caster shocks and 8 screws and anchors



## SPECIFICATIONS

ITEM	LENGTH	WIDTH	HEIGHT	GAUGE	CASTER SHOCKS	SCREWS & ANCHORS
600SAFETYSET	5 $\frac{1}{8}$ "	4 $\frac{1}{8}$ "	$\frac{1}{2}$ "	18	2	8

**A.5.6.4** The fire-extinguishing system does not require reevaluation where the cooking appliances are moved for the purposes of maintenance and cleaning, provided the appliances are returned to their approved design locations prior to cooking operations, and any disconnected fire-extinguishing system nozzles attached to the appliances are reconnected in accordance with the manufacturer's design installation and maintenance manual. Wheel chocks that can be fastened to the floor should be installed to ensure that an appliance with casters is returned to the protected position relative to the fire extinguishing system discharge nozzle(s). Statement of Problem and Substantiation for Public Input Wheel chocks are a proven method to assure returning appliances to their approved locations.

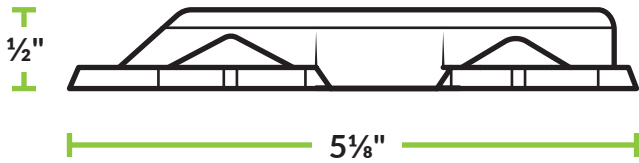
Public Input No. 38-NFPA 17A-2018

# STAINLESS STEEL CASTER PLACEMENT SET

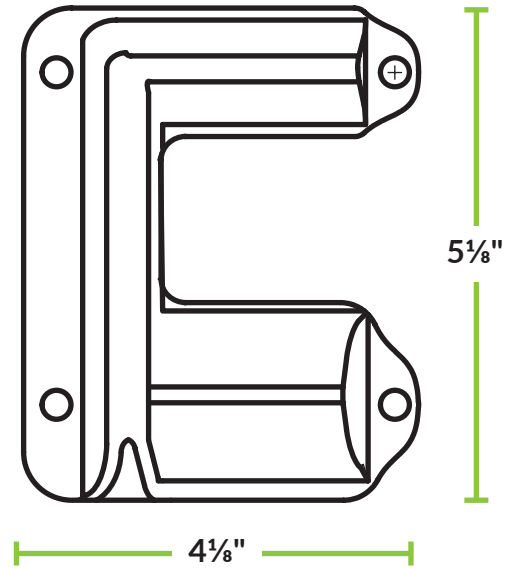


600SAFTEYSET •  $5\frac{1}{8}"$  x  $4\frac{1}{8}"$  x  $\frac{1}{2}"$

## FRONT



## TOP



## SIDE

