

# 24" FIVE-TIERED STAINLESS STEEL LIQUOR DISPLAY RACK

ITEM #: \_\_\_\_\_ QUANTITY: \_\_\_\_\_

PROJECT: \_\_\_\_\_

APPROVAL: \_\_\_\_\_

DATE: \_\_\_\_\_



## FEATURES

- 23" deep
- Five-tiered design
- 18 gauge type 304 stainless steel bottom, back, sides, hat channel, and steps
- 2" wide bars hold bottles in place
- Galvanized legs and bracing with plastic bullet feet



09/2019

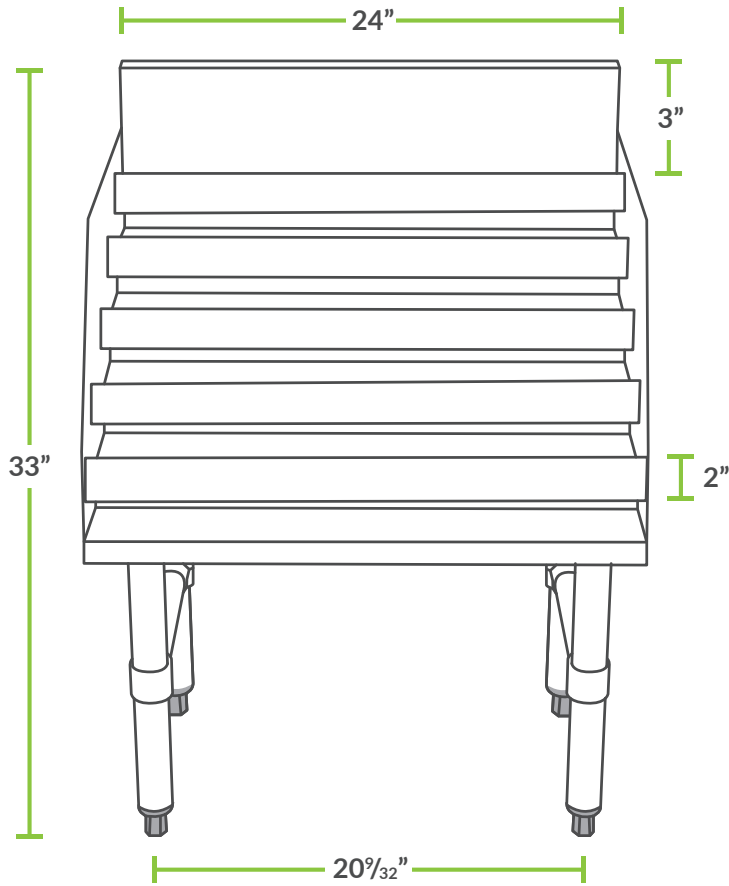
## SPECIFICATIONS

ITEM	LENGTH	WIDTH	HEIGHT	BACKSPLASH HEIGHT	CAPACITY
600LDR2324	24"	23"	33"	3"	30 Bottles

# 24" FIVE-TIERED STAINLESS STEEL LIQUOR DISPLAY RACK



## FRONT



## SIDE

